

SECTION **EXT**  
EXTERIOR

A  
B  
C  
D  
E  
F  
G  
H  
I  
J  
L  
M  
N  
O  
P

CONTENTS

<b>SYMPTOM DIAGNOSIS</b> .....	3	<b>FENDER PROTECTOR</b> .....	25
<b>SQUEAK AND RATTLE TROUBLE DIAG- NOSES</b> .....	3	<b>FENDER PROTECTOR</b> .....	25
Work Flow .....	3	FENDER PROTECTOR : Exploded View .....	25
Inspection Procedure .....	5	FENDER PROTECTOR : Removal and Installa- tion .....	25
Diagnostic Worksheet .....	7	<b>REAR WHEEL HOUSE PROTECTOR</b> .....	26
<b>PRECAUTION</b> .....	9	REAR WHEEL HOUSE PROTECTOR : Exploded View .....	27
<b>PRECAUTIONS</b> .....	9	REAR WHEEL HOUSE PROTECTOR : Removal and Installation .....	27
Precaution for Supplemental Restraint System (SRS) "AIR BAG" and "SEAT BELT PRE-TEN- SIONER" .....	9	<b>CENTER MUD GUARD</b> .....	29
Precaution Necessary for Steering Wheel Rota- tion after Battery Disconnect .....	9	Exploded View .....	29
Precaution for Procedure without Cowl Top Cover... 10	10	Removal and Installation .....	29
Precaution for Work .....	10	<b>FLOOR SIDE FAIRING</b> .....	31
<b>PREPARATION</b> .....	11	Exploded View .....	31
<b>PREPARATION</b> .....	11	Removal and Installation .....	31
Special Service Tools .....	11	<b>FILLET MOLDING</b> .....	32
Commercial Service Tools .....	11	Exploded View .....	32
<b>REMOVAL AND INSTALLATION</b> .....	12	Removal and Installation .....	32
<b>FRONT BUMPER</b> .....	12	<b>ROOF RAIL</b> .....	34
Exploded View .....	12	Exploded View .....	34
Removal and Installation .....	13	Removal and Installation .....	34
<b>REAR BUMPER</b> .....	16	<b>ROOF SIDE MOLDING</b> .....	37
Exploded View .....	16	Exploded View .....	37
Removal and Installation .....	17	Removal and Installation .....	37
<b>FRONT GRILLE</b> .....	20	<b>DOOR SASH MOLDING</b> .....	39
Exploded View .....	20	Exploded View .....	39
Removal and Installation .....	20	Removal and Installation .....	39
<b>COWL TOP</b> .....	22	<b>DOOR OUTSIDE MOLDING</b> .....	43
Exploded View .....	22	Exploded View .....	43
Removal and Installation .....	23	Removal and Installation .....	43
		<b>DOOR OUTSIDE LOWER MOLDING</b> .....	45
		Exploded View .....	45

EXT

---

Removal and Installation .....	45	Exploded View .....	49
<b>DOOR PARTING SEAL .....</b>	<b>47</b>	Removal and Installation .....	49
Exploded View .....	47	<b>BACK PILLAR FINISHER .....</b>	<b>51</b>
Removal and Installation .....	47	Exploded View .....	51
<b>BACK DOOR FINISHER .....</b>	<b>49</b>	Removal and Installation .....	51

# SQUEAK AND RATTLE TROUBLE DIAGNOSES

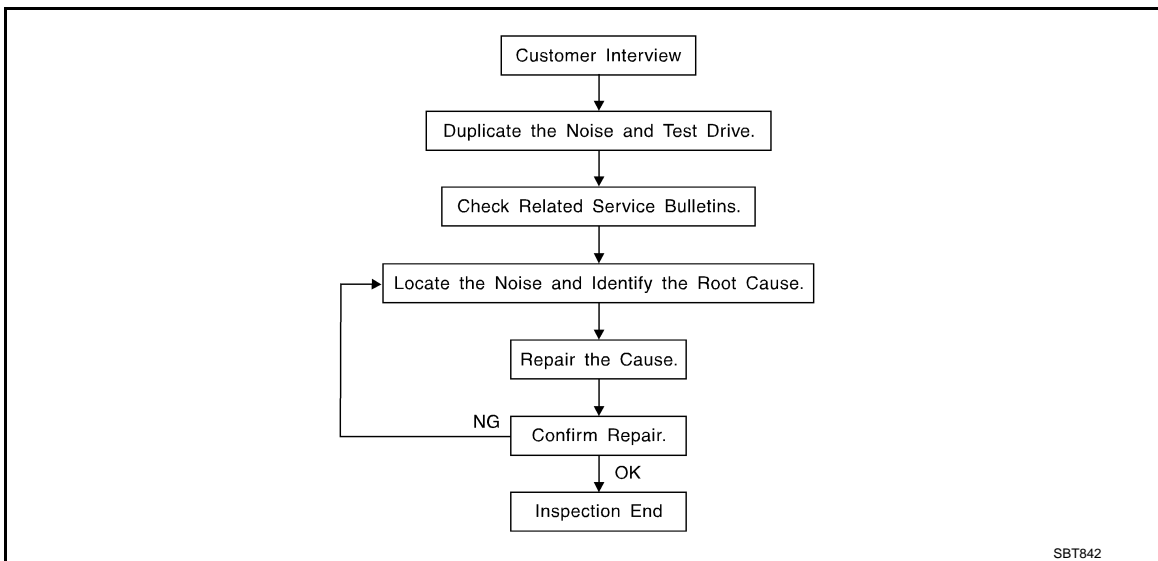
< SYMPTOM DIAGNOSIS >

## SYMPTOM DIAGNOSIS

### SQUEAK AND RATTLE TROUBLE DIAGNOSES

#### Work Flow

INFOID:000000004063233



#### CUSTOMER INTERVIEW

Interview the customer if possible, to determine the conditions that exist when the noise occurs. Use the Diagnostic Worksheet during the interview to document the facts and conditions when the noise occurs and any of customer's comments; refer to [EXT-7, "Diagnostic Worksheet"](#). This information is necessary to duplicate the conditions that exist when the noise occurs.

- The customer may not be able to provide a detailed description or the location of the noise. Attempt to obtain all the facts and conditions that exist when the noise occurs (or does not occur).
- If there is more than one noise in the vehicle, perform a diagnosis and repair the noise that the customer is concerned about. This can be accomplished by performing a cruise test on the vehicle with the customer.
- After identifying the type of noise, isolate the noise in terms of its characteristics. The noise characteristics are provided so the customer, service adviser and technician are all speaking the same language when defining the noise.
- Squeak – (Like tennis shoes on a clean floor)  
Squeak characteristics include the light contact/fast movement/brought on by road conditions/hard surfaces = higher pitch noise/softer surfaces = lower pitch noises/edge to surface = chirping
- Creak – (Like walking on an old wooden floor)  
Creak characteristics include firm contact/slow movement/twisting with a rotational movement/pitch dependent on materials/often brought on by activity.
- Rattle – (Like shaking a baby rattle)  
Rattle characteristics include the fast repeated contact/vibration or similar movement/loose parts/missing clip or fastener/incorrect clearance.
- Knock – (Like a knock on a door)  
Knock characteristics include hollow sounding/sometimes repeating/often brought on by driver action.
- Tick – (Like a clock second hand)  
Tick characteristics include gentle contacting of light materials/loose components/can be caused by driver action or road conditions.
- Thump – (Heavy, muffled knock noise)  
Thump characteristics include softer knock/dead sound often brought on by activity.
- Buzz – (Like a bumblebee)  
Buzz characteristics include high frequency rattle/firm contact.
- Often the degree of acceptable noise level will vary depending up on the person. A noise that a technician may judge as acceptable may be very irritating to the customer.
- Weather conditions, especially humidity and temperature, may have a great effect on noise level.

#### DUPLICATE THE NOISE AND TEST DRIVE

# SQUEAK AND RATTLE TROUBLE DIAGNOSES

## < SYMPTOM DIAGNOSIS >

If possible, drive the vehicle with the customer until the noise is duplicated. Note any additional information on the Diagnostic Worksheet regarding the conditions or location of the noise. This information can be used to duplicate the same conditions when the repair is reconfirmed.

If the noise can be duplicated easily during the test drive, to help identify the source of the noise, try to duplicate the noise with the vehicle stopped by doing one or all of the following:

- 1) Close a door.
  - 2) Tap or push/pull around the area where the noise appears to be coming from.
  - 3) Rev the engine.
  - 4) Use a floor jack to recreate vehicle "twist".
  - 5) At idle, apply engine load (electrical load, half-clutch on M/T models, drive position on A/T models).
  - 6) Raise the vehicle on a hoist and hit a tire with a rubber hammer.
- Drive the vehicle and attempt to duplicate the conditions the customer states exist when the noise occurs.
  - If it is difficult to duplicate the noise, drive the vehicle slowly on an undulating or rough road to stress the vehicle body.

## CHECK RELATED SERVICE BULLETINS

After verifying the customer concern or symptom, check ASIST for Technical Service Bulletins (TSBs) related to that concern or symptom.

If a TSB relates to the symptom, follow the procedure to repair the noise.

## LOCATE THE NOISE AND IDENTIFY THE ROOT CAUSE

1. Narrow down the noise to a general area. To help pinpoint the source of the noise, use a listening tool (Chassis ear: J-39570, Engine ear and mechanics stethoscope).
2. Narrow down the noise to a more specific area and identify the cause of the noise by:
  - Removing the components in the area that is are suspected to be the cause of the noise.  
Do not use too much force when removing clips and fasteners, otherwise clips and fastener can be broken or lost during the repair, resulting in the creation of new noise.
  - Tapping or pushing/pulling the component that is are suspected to be the cause of the noise.  
Do not tap or push/pull the component with excessive force, otherwise the noise will be eliminated only temporarily.
  - Feeling for a vibration by hand by touching the component(s) that is are suspected to be the cause of the noise.
  - Placing a piece of paper between components that are suspected to be the cause of the noise.
  - Looking for loose components and contact marks.  
Refer to [EXT-5. "Inspection Procedure"](#).

## REPAIR THE CAUSE

- If the cause is a loose component, tighten the component securely.
- If the cause is insufficient clearance between components:
  - Separate components by repositioning or loosening and retightening the component, if possible.
  - Insulate components with a suitable insulator such as urethane pads, foam blocks, felt cloth tape or urethane tape. A Nissan Squeak and Rattle Kit (J-43980) is available through the authorized Nissan Parts Department.

### **CAUTION:**

**Never use excessive force as many components are constructed of plastic and may be damaged.**

### **NOTE:**

Always check with the Parts Department for the latest parts information.

The following materials are contained in the Nissan Squeak and Rattle Kit (J-43980). Each item can be ordered separately as needed.

URETHANE PADS [1.5 mm (0.059 in) thick]

Insulates connectors, harness, etc.

76268-9E005: 100 × 135 mm (3.94 × 5.31 in)/76884-71L01: 60 × 85 mm (2.36 × 3.35 in)/76884-71L02: 15 × 25 mm (0.59 × 0.98 in)

INSULATOR (Foam blocks)

Insulates components from contact. Can be used to fill space behind a panel.

73982-9E000: 45 mm (1.77 in) thick, 50 × 50 mm (1.97 × 1.97 in)/73982-

50Y00: 10 mm (0.39 in) thick, 50 × 50 mm (1.97 × 1.97 in)

INSULATOR (Light foam block)

80845-71L00: 30 mm (1.18 in) thick, 30 × 50 mm (1.18 × 1.97in)

FELT CLOTHTAPE

Used to insulate where movement does not occur. Ideal for instrument panel applications.

# SQUEAK AND RATTLE TROUBLE DIAGNOSES

## < SYMPTOM DIAGNOSIS >

68370-4B000: 15 × 25 mm (0.59 × 0.98 in) pad/68239-13E00: 5 mm (0.20 in) wide tape roll

The following materials, not found in the kit, can also be used to repair squeaks and rattles.

### UHMW (TEFLON) TAPE

Insulates where slight movement is present. Ideal for instrument panel applications.

### SILICONE GREASE

Used in place of UHMW tape that is be visible or does not fit. Will only last a few months.

### SILICONE SPRAY

Used when grease cannot be applied.

### DUCT TAPE

Used to eliminate movement.

## CONFIRM THE REPAIR

Confirm that the cause of a noise is repaired by test driving the vehicle. Operate the vehicle under the same conditions as when the noise originally occurred. Refer to the notes on the Diagnostic Worksheet.

## Inspection Procedure

INFOID:0000000004063234

Refer to Table of Contents for specific component removal and installation information.

## INSTRUMENT PANEL

Most incidents are caused by contact and movement between:

1. The cluster lid A and instrument panel
2. Acrylic lens and combination meter housing
3. Instrument panel to front pillar garnish
4. Instrument panel to windshield
5. Instrument panel mounting pins
6. Wiring harnesses behind the combination meter
7. A/C defroster duct and duct joint

These incidents can usually be located by tapping or moving the components to duplicate the noise or by pressing on the components while driving to stop the noise. Most of these incidents can be repaired by applying felt cloth tape or silicon spray (in hard to reach areas). Urethane pads can be used to insulate wiring harness.

### **CAUTION:**

**Never use silicone spray to isolate a squeak or rattle. If the area is saturated with silicone, the recheck of repair becomes impossible.**

## CENTER CONSOLE

Components to pay attention to include:

1. Shifter assembly cover to finisher
2. A/C control unit and cluster lid C
3. Wiring harnesses behind audio and A/C control unit

The instrument panel repair and isolation procedures also apply to the center console.

## DOORS

Pay attention to the following:

1. Finisher and inner panel making a slapping noise
2. Inside handle escutcheon to door finisher
3. Wiring harnesses tapping
4. Door striker out of alignment causing a popping noise on starts and stops

Tapping or moving the components or pressing on them while driving to duplicate the conditions can isolate many of these incidents. The areas can usually be insulated with felt cloth tape or insulator foam blocks from the Nissan Squeak and Rattle Kit (J-43980) to repair the noise.

## TRUNK

Trunk noises are often caused by a loose jack or loose items put into the trunk by the customer.

In addition look for the following:

1. Trunk lid dumpers out of adjustment
2. Trunk lid striker out of adjustment

A

B

C

D

E

F

G

H

I

J

EXT

L

M

N

O

P

# SQUEAK AND RATTLE TROUBLE DIAGNOSES

## < SYMPTOM DIAGNOSIS >

---

3. The trunk lid torsion bars knocking together
4. A loose license plate or bracket

Most of these incidents can be repaired by adjusting, securing or insulating the item(s) or component(s) causing the noise.

### SUNROOF/HEADLINING

Noises in the sunroof/headlining area can often be traced to one of the following:

1. Sunroof lid, rail, linkage or seals making a rattle or light knocking noise
2. Sunvisor shaft shaking in the holder
3. Front or rear windshield touching headlining and squeaking

Again, pressing on the components to stop the noise while duplicating the conditions can isolate most of these incidents. Repairs usually consist of insulating with felt cloth tape.

### SEATS

When isolating seat noise it's important to note the position the seats in and the load placed on the seat when the noise occurs. These conditions should be duplicated when verifying and isolating the cause of the noise.

Cause of seat noise include:

1. Headrest rods and holder
2. A squeak between the seat pad cushion and frame
3. The rear seatback lock and bracket

These noises can be isolated by moving or pressing on the suspected components while duplicating the conditions under which the noise occurs. Most of these incidents can be repaired by repositioning the component or applying urethane tape to the contact area.

### UNDERHOOD

Some interior noise may be caused by components under the hood or on the engine wall. The noise is then transmitted into the passenger compartment.

Causes of transmitted underhood noise include:

1. Any component mounted to the engine wall
2. Components that pass through the engine wall
3. Engine wall mounts and connectors
4. Loose radiator mounting pins
5. Hood bumpers out of adjustment
6. Hood striker out of adjustment

These noises can be difficult to isolate since they cannot be reached from the interior of the vehicle. The best method is to secure, move or insulate one component at a time and test drive the vehicle. Also, engine RPM or load can be changed to isolate the noise. Repairs can usually be made by moving, adjusting, securing, or insulating the component causing the noise.

# SQUEAK AND RATTLE TROUBLE DIAGNOSES

< SYMPTOM DIAGNOSIS >

## Diagnostic Worksheet

INFOID:000000004063235



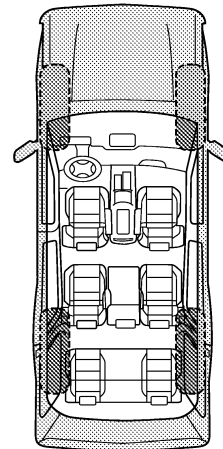
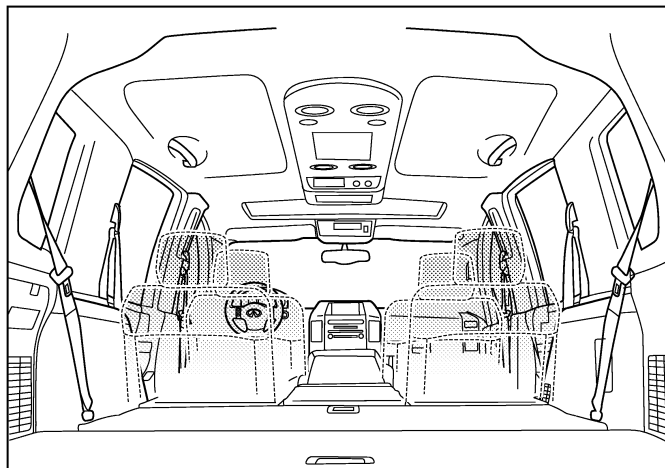
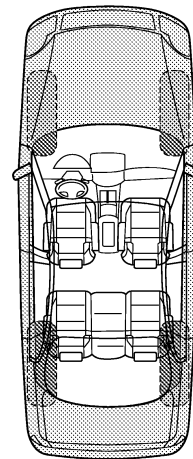
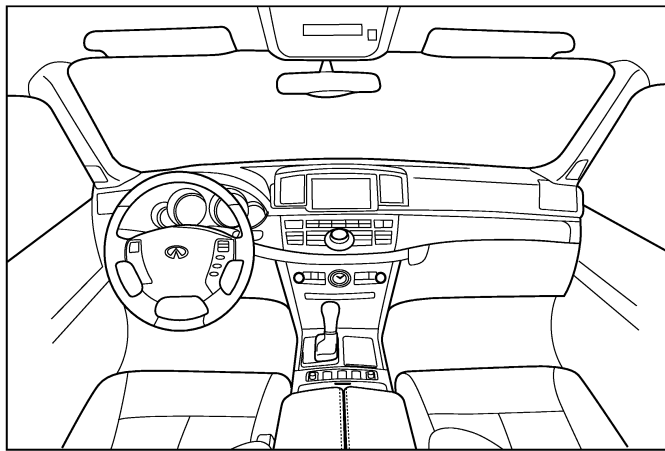
### SQUEAK & RATTLE DIAGNOSTIC WORKSHEET

Dear Infiniti Customer:

We are concerned about your satisfaction with your Infiniti vehicle. Repairing a squeak or rattle sometimes can be very difficult. To help us fix your Infiniti right the first time, please take a moment to note the area of the vehicle where the squeak or rattle occurs and under what conditions. You may be asked to take a test drive with a service consultant or technician to ensure we confirm the noise you are hearing.

#### I. WHERE DOES THE NOISE COME FROM? (circle the area of the vehicle)

The illustrations are for reference only, and may not reflect the actual configuration of your vehicle.



Continue to page 2 of the worksheet and briefly describe the location of the noise or rattle. In addition, please indicate the conditions which are present when the noise occurs.

PIIB8741E

A  
B  
C  
D  
E  
F  
G  
H  
I  
J  
EXT  
L  
M  
N  
O  
P

# SQUEAK AND RATTLE TROUBLE DIAGNOSES

< SYMPTOM DIAGNOSIS >

## SQUEAK & RATTLE DIAGNOSTIC WORKSHEET - page 2

Briefly describe the location where the noise occurs:

---

---

### II. WHEN DOES IT OCCUR? (please check the boxes that apply)

- |   |  |
|---|--|
| <input type="checkbox"/> anytime                      | <input type="checkbox"/> after sitting out in the rain |
| <input type="checkbox"/> 1st time in the morning      | <input type="checkbox"/> when it is raining or wet     |
| <input type="checkbox"/> only when it is cold outside | <input type="checkbox"/> dry or dusty conditions       |
| <input type="checkbox"/> only when it is hot outside  | <input type="checkbox"/> other:                        |

### III. WHEN DRIVING:

- through driveways
- over rough roads
- over speed bumps
- only about \_\_\_\_ mph
- on acceleration
- coming to a stop
- on turns: left, right or either (circle)
- with passengers or cargo
- other: \_\_\_\_\_
- after driving \_\_\_\_ miles or \_\_\_\_ minutes

### IV. WHAT TYPE OF NOISE

- squeak (like tennis shoes on a clean floor)
- creak (like walking on an old wooden floor)
- rattle (like shaking a baby rattle)
- knock (like a knock at the door)
- tick (like a clock second hand)
- thump (heavy, muffled knock noise)
- buzz (like a bumble bee)

## TO BE COMPLETED BY DEALERSHIP PERSONNEL

### Test Drive Notes:

---

---

---

	YES	NO	Initials of person performing
Vehicle test driven with customer	<input type="checkbox"/>	<input type="checkbox"/>	_____
- Noise verified on test drive	<input type="checkbox"/>	<input type="checkbox"/>	_____
- Noise source located and repaired	<input type="checkbox"/>	<input type="checkbox"/>	_____
- Follow up test drive performed to confirm repair	<input type="checkbox"/>	<input type="checkbox"/>	_____

VIN: \_\_\_\_\_ Customer Name: \_\_\_\_\_  
W.O.# \_\_\_\_\_ Date: \_\_\_\_\_

This form must be attached to Work Order

PIIB8742E



# PRECAUTIONS

< PRECAUTION >

## PRECAUTION

### PRECAUTIONS

#### Precaution for Supplemental Restraint System (SRS) "AIR BAG" and "SEAT BELT PRE-TENSIONER"

INFOID:000000003733768

The Supplemental Restraint System such as "AIR BAG" and "SEAT BELT PRE-TENSIONER", used along with a front seat belt, helps to reduce the risk or severity of injury to the driver and front passenger for certain types of collision. This system includes seat belt switch inputs and dual stage front air bag modules. The SRS system uses the seat belt switches to determine the front air bag deployment, and may only deploy one front air bag, depending on the severity of a collision and whether the front occupants are belted or unbelted. Information necessary to service the system safely is included in the "SRS AIR BAG" and "SEAT BELT" of this Service Manual.

#### **WARNING:**

- To avoid rendering the SRS inoperative, which could increase the risk of personal injury or death in the event of a collision which would result in air bag inflation, all maintenance must be performed by an authorized NISSAN/INFINITI dealer.
- Improper maintenance, including incorrect removal and installation of the SRS, can lead to personal injury caused by unintentional activation of the system. For removal of Spiral Cable and Air Bag Module, see the "SRS AIR BAG".
- Do not use electrical test equipment on any circuit related to the SRS unless instructed to in this Service Manual. SRS wiring harnesses can be identified by yellow and/or orange harnesses or harness connectors.

#### PRECAUTIONS WHEN USING POWER TOOLS (AIR OR ELECTRIC) AND HAMMERS

#### **WARNING:**

- When working near the Air Bag Diagnosis Sensor Unit or other Air Bag System sensors with the ignition ON or engine running, DO NOT use air or electric power tools or strike near the sensor(s) with a hammer. Heavy vibration could activate the sensor(s) and deploy the air bag(s), possibly causing serious injury.
- When using air or electric power tools or hammers, always switch the ignition OFF, disconnect the battery, and wait at least 3 minutes before performing any service.

#### Precaution Necessary for Steering Wheel Rotation after Battery Disconnect

INFOID:000000003733769

#### **NOTE:**

- Before removing and installing any control units, first turn the push-button ignition switch to the LOCK position, then disconnect both battery cables.
- After finishing work, confirm that all control unit connectors are connected properly, then re-connect both battery cables.
- Always use CONSULT-III to perform self-diagnosis as a part of each function inspection after finishing work. If a DTC is detected, perform trouble diagnosis according to self-diagnosis results.

This vehicle is equipped with a push-button ignition switch and a steering lock unit.

If the battery is disconnected or discharged, the steering wheel will lock and cannot be turned.

If turning the steering wheel is required with the battery disconnected or discharged, follow the procedure below before starting the repair operation.

#### OPERATION PROCEDURE

1. Connect both battery cables.

#### **NOTE:**

Supply power using jumper cables if battery is discharged.

2. Turn the push-button ignition switch to ACC position.  
(At this time, the steering lock will be released.)
3. Disconnect both battery cables. The steering lock will remain released with both battery cables disconnected and the steering wheel can be turned.
4. Perform the necessary repair operation.

A

B

C

D

E

F

G

H

I

J

EXT

L

M

N

O

P

## PRECAUTIONS

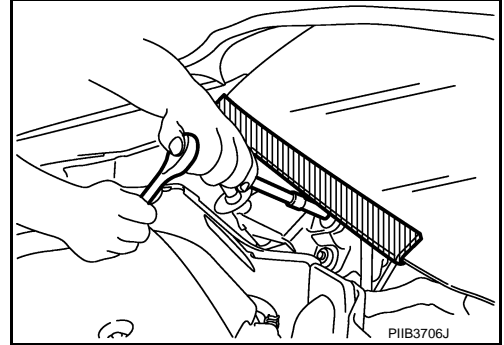
### < PRECAUTION >

5. When the repair work is completed, re-connect both battery cables. With the brake pedal released, turn the push-button ignition switch from ACC position to ON position, then to LOCK position. (The steering wheel will lock when the push-button ignition switch is turned to LOCK position.)
6. Perform self-diagnosis check of all control units using CONSULT-III.

### Precaution for Procedure without Cowl Top Cover

INFOID:000000003733770

When performing the procedure after removing cowl top cover, cover the lower end of windshield with urethane, etc.



### Precaution for Work

INFOID:000000003733771

- After removing and installing the opening/closing parts, be sure to carry out fitting adjustments to check their operation.
- Check the lubrication level, damage, and wear of each part. If necessary, grease or replace it.

# PREPARATION

< PREPARATION >

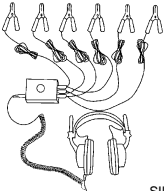
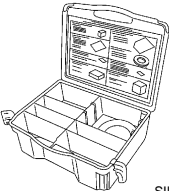
## PREPARATION

### PREPARATION

#### Special Service Tools

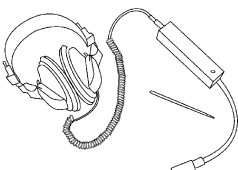
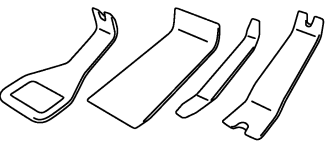
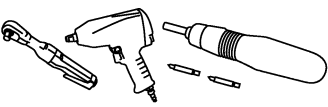
INFOID:000000003733772

The actual shapes of Kent-Moore tools may differ from those of special service tools illustrated here.

Tool number (Kent-Moore No.) Tool name	Description
<p>(J-39570) Chassis ear</p>  <p>SIIA0993E</p>	<p>Locates the noise</p>
<p>(J-43980) NISSAN Squeak and Rattle Kit</p>  <p>SIIA0994E</p>	<p>Repairing the cause of noise</p>

#### Commercial Service Tools

INFOID:000000003733773

Tool name	Description
<p>Engine ear</p>  <p>SIIA0995E</p>	<p>Locates the noise</p>
<p>Remover tool</p>  <p>PIIB7923J</p>	<p>Removes clips, pawls and metal clips</p>
<p>Power tool</p>  <p>PIIB1407E</p>	

A

B

C

D

E

F

G

H

I

J

EXT

L

M

N

O

P

# FRONT BUMPER

< REMOVAL AND INSTALLATION >

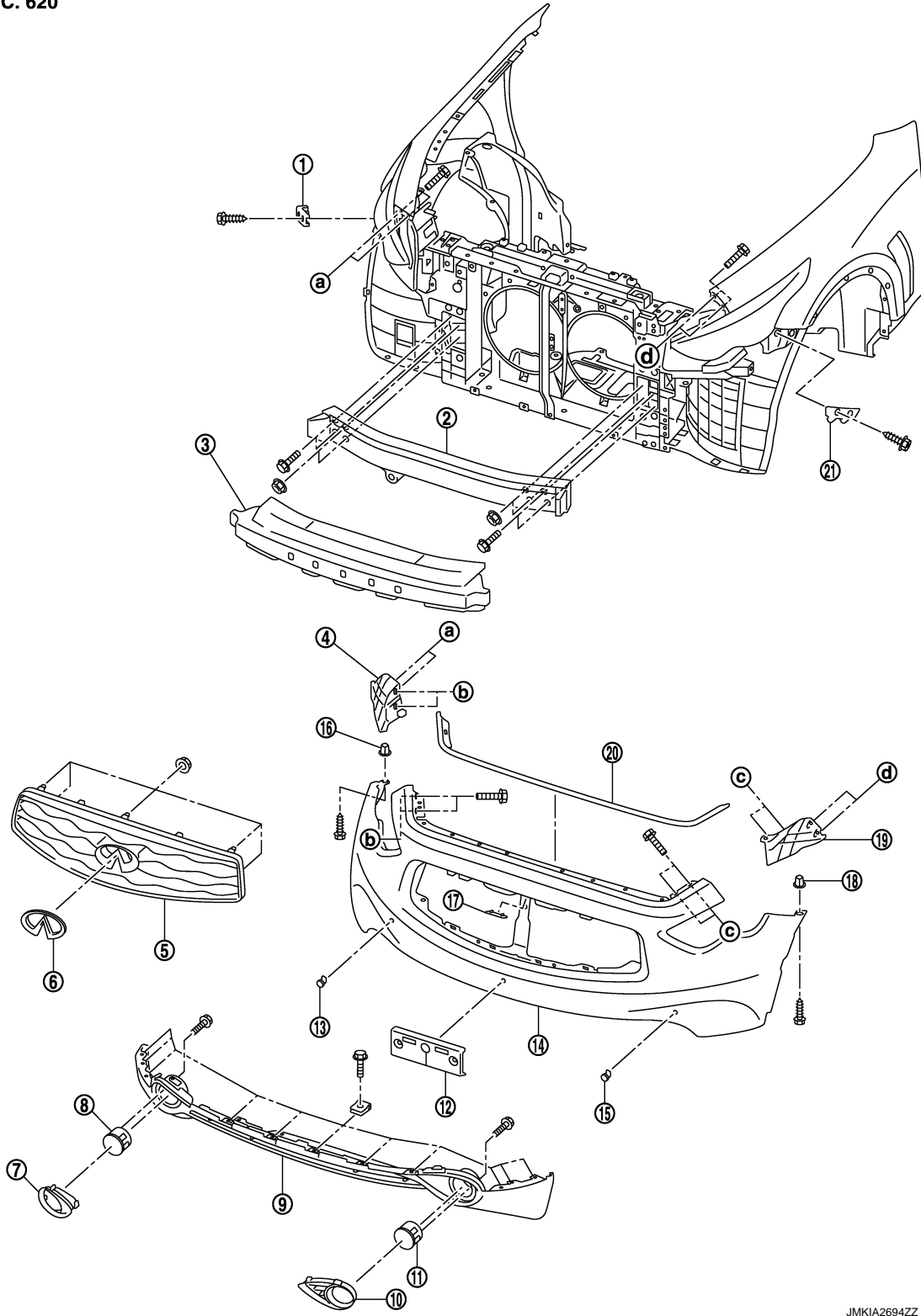
## REMOVAL AND INSTALLATION

### FRONT BUMPER

Exploded View

INFOID:000000003910496

SEC. 620



JMKIA2694ZZ

# FRONT BUMPER

## < REMOVAL AND INSTALLATION >

- |                                |                            |                                 |   |
|--------------------------------|----------------------------|---------------------------------|---|
| 1. Bumper side bracket RH      | 2. Bumper reinforcement    | 3. Energy absorber              | A |
| 4. Bumper side stiffener RH    | 5. Front grille            | 6. Front emblem                 | B |
| 7. Front fog lamp finisher RH  | 8. Front fog lamp RH       | 9. Bumper fascia assembly lower | B |
| 10. Front fog lamp finisher LH | 11. Front fog lamp LH      | 12. License plate bracket       | B |
| 13. Sonar sensor RH            | 14. Bumper fascia assembly | 15. Sonar sensor LH             | C |
| 16. Bumper side grommet RH     | 17. Front camera finisher  | 18. Bumper side grommet LH      | C |
| 19. Bumper side stiffener LH   | 20. Hood top seal          | 21. Bumper side bracket LH      | C |

## Removal and Installation

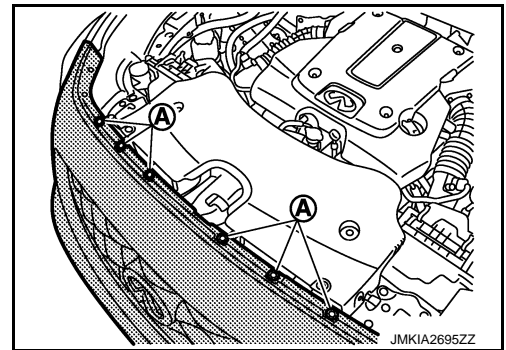
INFOID:000000003910497

### REMOVAL

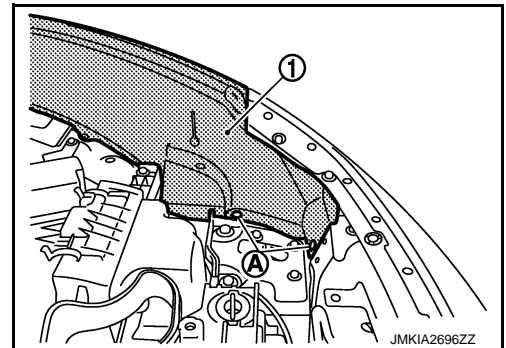
#### CAUTION:

**Bumper fascia is made of resin. Never apply strong force to it, and be careful to prevent contact with oil.**

1. Fully open hood assembly.
2. Remove front bumper fascia assembly upper side fixing clips (A).

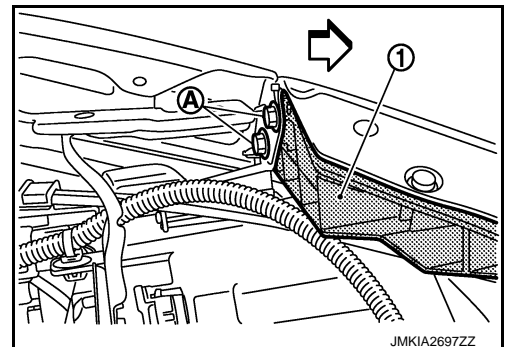


3. Remove engine room covers (LH/RH) (For VK engine models). Refer to [EM-174. "Exploded View"](#).
4. Remove hood seal assemblies (LH/RH) (1) fixing clips (A), and then remove hood seal assembly located on the front area. Refer to [DLK-234. "Removal and Installation"](#).



5. Remove bolts (A) of fixing bumper side stiffener (1) and front fender (LH/RH).

← : Vehicle front




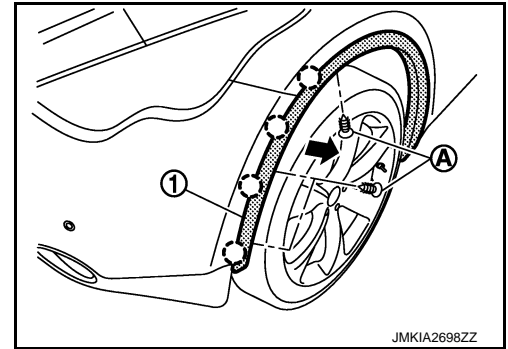
A  
B  
B  
C  
C  
D  
E  
F  
G  
H  
I  
J  
EXT  
L  
M  
N  
O  
P

# FRONT BUMPER

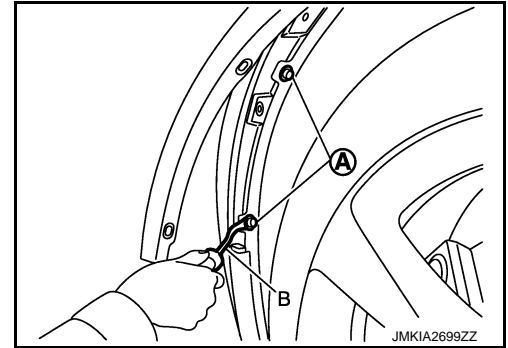
## < REMOVAL AND INSTALLATION >

6. Remove front fillet molding (1) fixing screws (A) (LH/RH).
7. Remove front fillet molding fixing clips (LH/RH).  
Refer to [EXT-32. "Removal and Installation"](#).

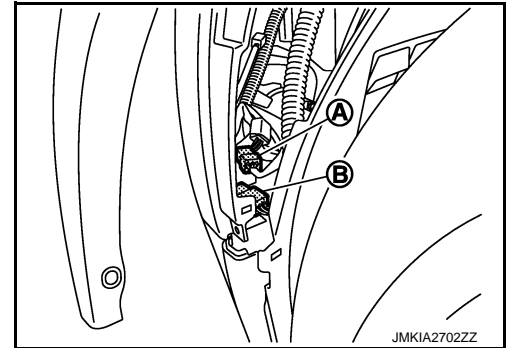
 : Clip



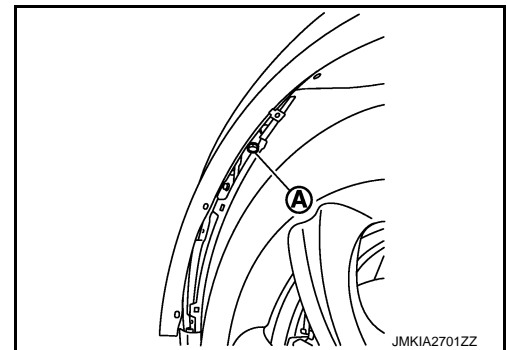
8. Remove front fender grommets (A) with a remover tool (B).



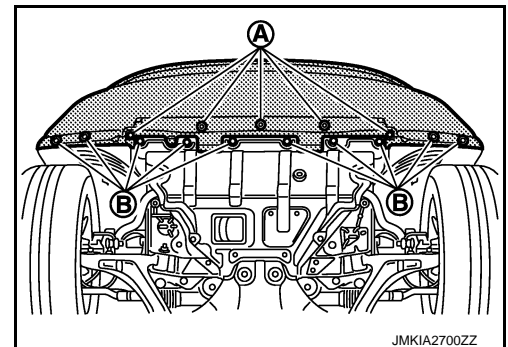
9. Disconnect harness connectors (A) and (B) from back side of bumper fascia assembly (LH).



10. Remove bumper fascia assembly fixing screws (A) (LH/RH).



11. Remove bumper fascia assembly lower fixing clips (A) and bolts (B).



# FRONT BUMPER

## < REMOVAL AND INSTALLATION >

12. Pull both side of the bumper fascia assembly toward the vehicle side to disengage both side of the bumper fascia assembly from bumper side brackets (LH/RH).
13. Remove bumper fascia assembly.  
**CAUTION:**  
**When removing bumper fascia, 2 workers are required so as to prevent it from dropping.**
14. Remove the following parts after removing bumper fascia.
  - Hood top seal assembly.
  - Front grille. Refer to [EXT-20, "Removal and Installation"](#).
  - Front bumper side stiffeners (LH/RH).
  - Sonar sensors (LH/RH). Refer to [AV-604, "FRONT : Removal and Installation"](#).
  - License plate bracket.
  - Front fog lamp finishers (LH/RH).
  - Front fog lamps (LH/RH). Refer to [EXL-205, "Removal and Installation"](#).
  - Bumper fascia assembly lower.
  - Front camera. Refer to [AV-598, "Removal and Installation"](#).
15. Remove bumper energy absorber.
16. Remove bumper reinforcement mounting nuts and bolts, and then remove bumper reinforcement with power tool.

## INSTALLATION

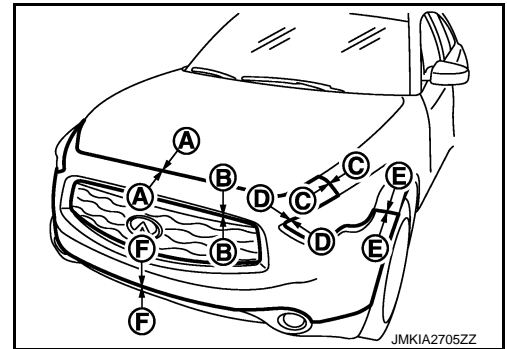
Install in the reverse order of removal.

### CAUTION:

Perform camera image calibration. Refer to [AV-279, "CALIBRATING CAMERA IMAGE \(AROUND VIEW MONITOR\) : Special Repair Requirement"](#).

### NOTE:

After installing, perform fitting adjustment.



Portion		Clearance	Surface height difference
Front bumper – Hood	A – A	2.5 – 5.5 mm (0.098 – 0.217 in)	-2.0 – 0.5 mm (-0.079 – 0.020 in)
Front bumper – Front grille	B – B	0.0 – 2.0 mm (0.000 – 0.079 in)	—
Front bumper – Front fender	C – C	0.0 – 0.5 mm (0.000 – 0.020 in)	-0.5 – 0.5 mm (-0.020 – 0.020 in)
Front bumper – Headlamp	D – D	0.2 – 3.0 mm (0.008 – 0.118 in)	—
Front bumper – Front fender	E – E	0.0 – 0.8 mm (0.000 – 0.031 in)	-1.0 – 1.0 mm (-0.039 – 0.039 in)
Front bumper upper – Front bumper lower	F – F	0.0 – 0.7 mm (0.000 – 0.028 in)	—





# REAR BUMPER

## < REMOVAL AND INSTALLATION >

- |   |  |   |
|---|--|---|
| 7. Bumper sub harness                       | 8. Rear combination lamp upper finisher LH | 9. Rear combination lamp lower finisher LH  |
| 10. Bumper fascia assembly                  | 11. Sonar sensor LH                        | 12. Reflex reflector LH                     |
| 13. Sonar sensor RH                         | 14. Reflex reflector RH                    | 15. Rear combination lamp lower finisher RH |
| 16. Rear combination lamp upper finisher RH | 17. Bumper side grommet RH                 | 18. Bumper stay RH                          |
| 19. Bumper side bracket RH                  |  |   |

## Removal and Installation

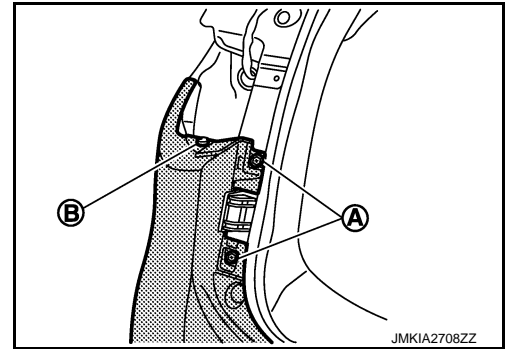
INFOID:000000003910499

### REMOVAL

#### CAUTION:

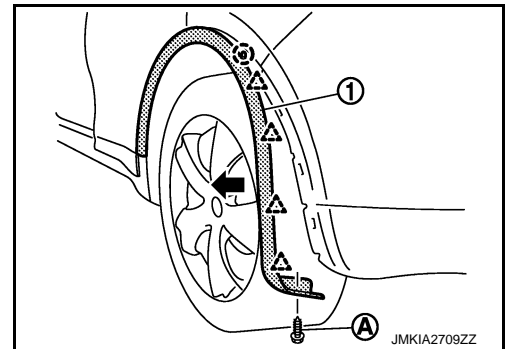
**Bumper fascia is made of resin. Never apply strong force to it, and be careful to prevent contact with oil.**

1. Fully open back door.
2. Remove rear combination lamps (LH/RH). Refer to [EXL-215, "Removal and Installation"](#).
3. Remove bolts (A) and clips (B) (LH/RH) located under rear combination lamps (LH/RH).

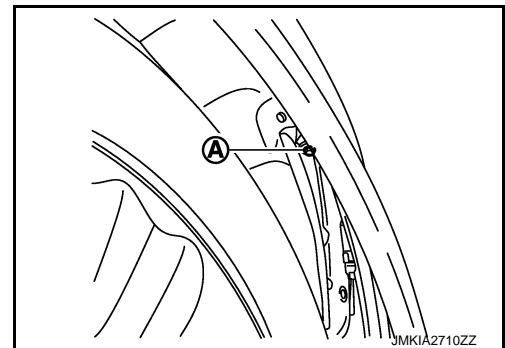


4. Remove rear fillet moldings (1) fixing screws (A) (LH/RH).
5. Remove rear fillet moldings fixing pawls and clips (LH/RH). Refer to [EXT-32, "Removal and Installation"](#).

- : Clip  
 △ : Pawl



6. Remove bumper fascia assembly fixing screws (A) (LH/RH).

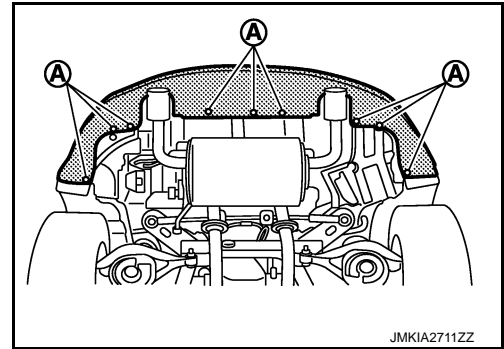


A  
B  
C  
D  
E  
F  
G  
H  
I  
J  
EXT  
L  
M  
N  
O  
P

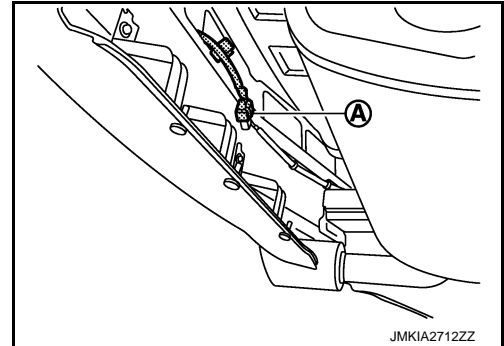
# REAR BUMPER

## < REMOVAL AND INSTALLATION >

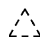
7. Remove bumper fascia assembly underside fixing clips (A).

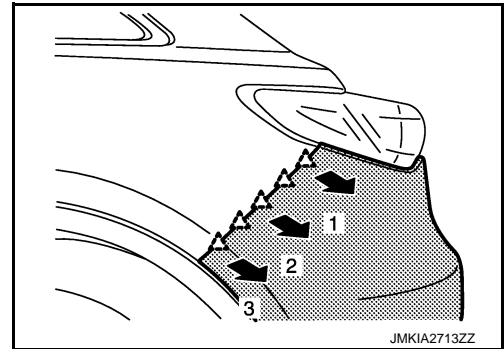


8. Disconnect bumper sub harness connector (A).



9. Pull both sides bumper fascia assembly toward the vehicle outside to disengage the bumper fascia assembly from bumper side brackets (LH/RH).

 : Pawl



10. Remove bumper fascia assembly.

### **CAUTION:**

**When removing bumper fascia, 2 workers are required so as to prevent it from dropping.**

11. Remove the following parts after removing bumper fascia.

- Reflex reflectors (LH/RH).
- Sonar sensors (LH/RH). Refer to [AV-605, "REAR : Removal and Installation"](#).
- Bumper sub harness.

12. Remove bumper energy absorber.

13. Remove bumper reinforcement mounting nuts and bolts, and then remove bumper reinforcement with power tool.

## INSTALLATION

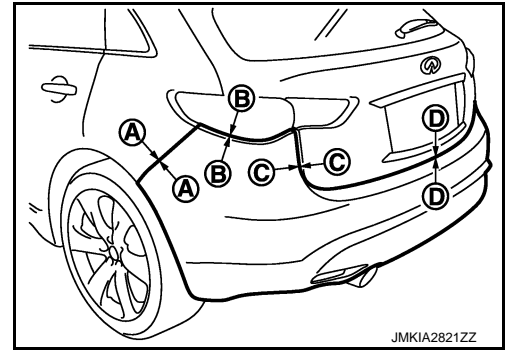
Install in the reverse order of removal.

### **NOTE:**

# REAR BUMPER

## < REMOVAL AND INSTALLATION >

After installing, perform fitting adjustment.



Portion		Clearance	Surface height difference
Rear bumper – Rear fender	A – A	0.0 – 0.8 mm (0.000 – 0.031 in)	-1.0 – 1.0 mm (-0.039 – 0.039 in)
Rear bumper – Rear combination lamp	B – B	0.0 – 3.0 mm (0.000 – 0.118 in)	—
Rear bumper – Back door	C – C	3.0 – 7.0 mm (0.118 – 0.276 in)	-2.0 – 2.0 mm (-0.079 – 0.079 in)
Rear bumper – Back door	D – D	5.0 – 9.0 mm (0.197 – 0.354 in)	—

A  
B  
C  
D  
E  
F  
G  
H  
I  
J  
L  
M  
N  
O  
P

EXT

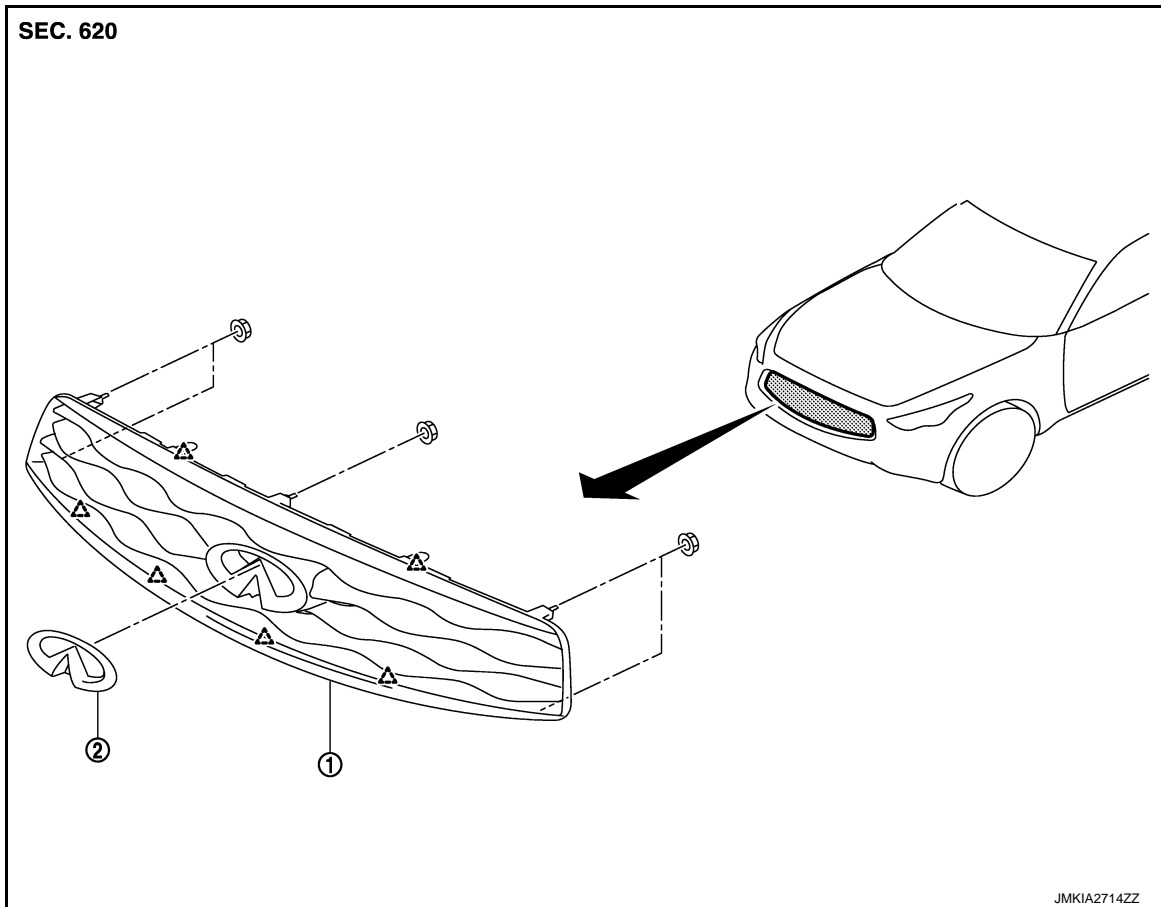
# FRONT GRILLE

< REMOVAL AND INSTALLATION >

## FRONT GRILLE

Exploded View

INFOID:000000003910500



1. Front grille

2. Front emblem

△ : Pawl

## Removal and Installation

INFOID:000000003910501

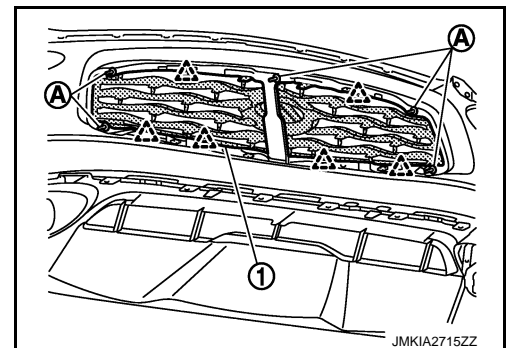
### REMOVAL

#### CAUTION:

Apply protection tape around outer circumference of front grille (bumper fascia assembly side).

1. Fully open hood.
2. Remove air duct (inlet). Refer to [EM-29, "Exploded View"](#).
3. Remove front grille mounting nuts (A), disengage fixing pawls, and then pull front grille (1) horizontally toward vehicle front.

△ : Pawl



4. Remove the following parts after removing front grille.  
Front emblem

# FRONT GRILLE

< REMOVAL AND INSTALLATION >

## INSTALLATION

---

Install in the reverse order of removal.

A

B

C

D

E

F

G

H

I

J

**EXT**

L

M

N

O

P

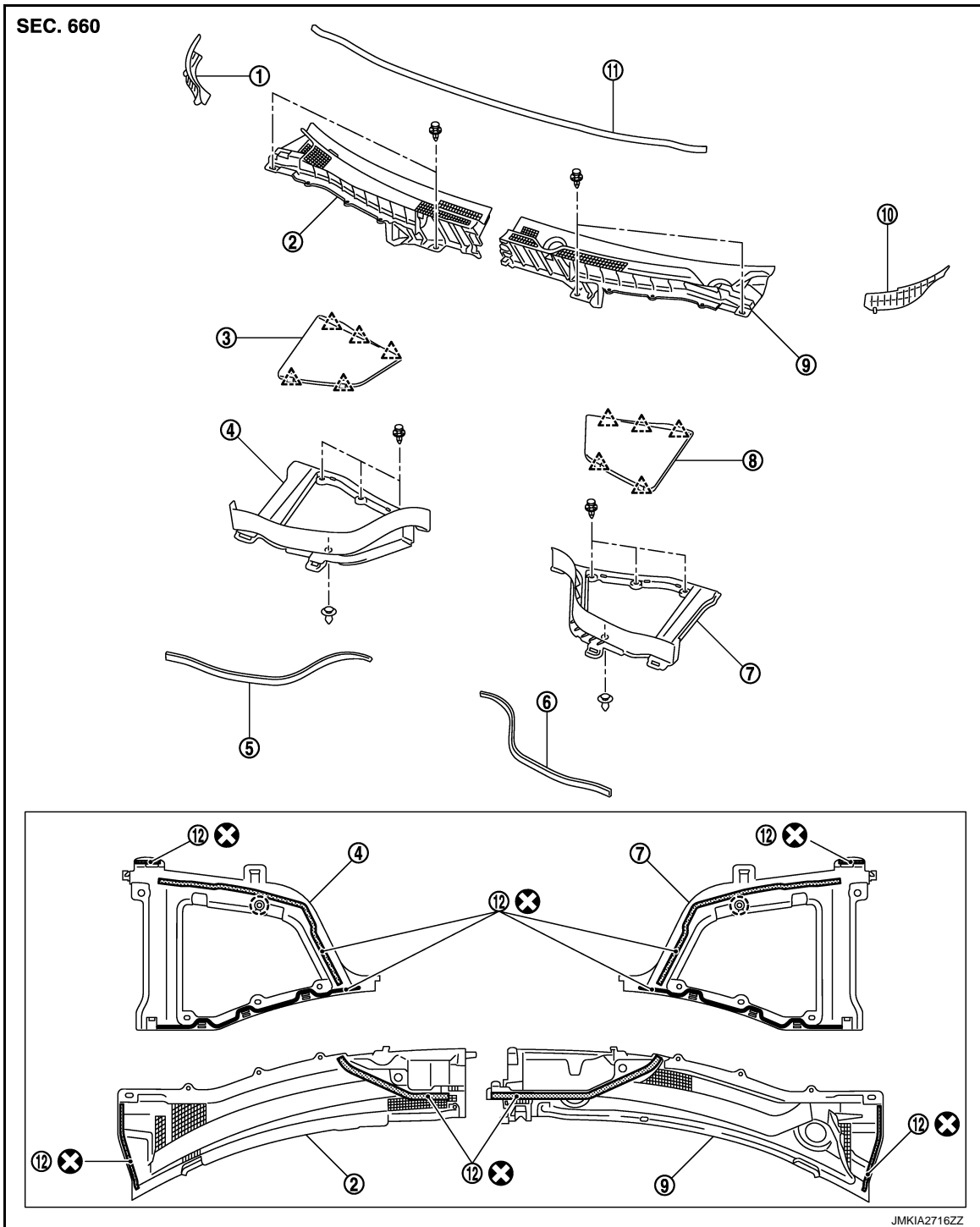
# COWL TOP

< REMOVAL AND INSTALLATION >

## COWL TOP

Exploded View

INFOID:000000003910502




- |                           |                                |                           |
|---------------------------|--------------------------------|---------------------------|
| 1. Front fender cover RH  | 2. Cowl top cover RH           | 3. Battery cover          |
| 4. Hoodledge cover RH     | 5. Cowl top cover seal RH      | 6. Cowl top cover seal LH |
| 7. Hoodledge cover LH     | 8. Brake master cylinder cover | 9. Cowl top cover LH      |
| 10. Front fender cover LH | 11. Cowl top seal              | 12. EPT sealer            |

⊙ : Clip

# COWL TOP

## < REMOVAL AND INSTALLATION >

 : Pawl


Refer to [GI-4, "Components"](#) for symbols in the figure.

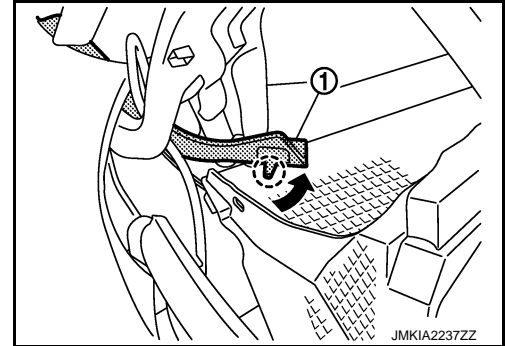
## Removal and Installation

INFOID:000000003910503

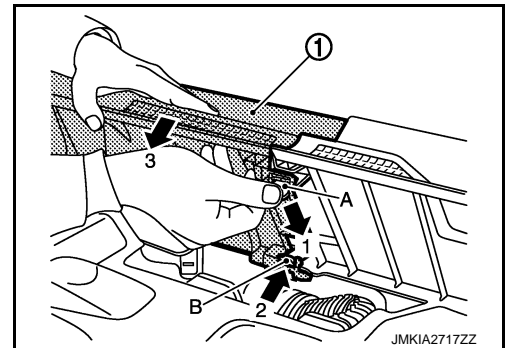
### REMOVAL

1. Fully open hood assembly.
2. Remove front wiper arms and blades (LH/RH) from vehicle. Refer to [WW-114, "Removal and Installation"](#).
3. Remove battery cover and brake master cylinder cover.
4. Remove cowl top cover seals (LH/RH).
5. Remove hoodledge cover mounting clips and then remove hoodledge covers (LH/RH).
6. Remove front fender covers (1) fixing clips (LH/RH).

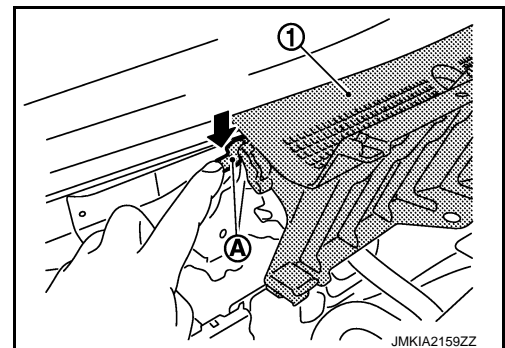
 : Clip



7. Remove cowl top seal.
8. Remove cowl top covers (LH/RH) fixing clips.
9. Push pawls (A) and (B) to remove cowl top cover RH (1) as shown in the figure.



10. Push pawl (A) as shown by the arrow in the figure to remove cowl top cover LH (1).



### INSTALLATION

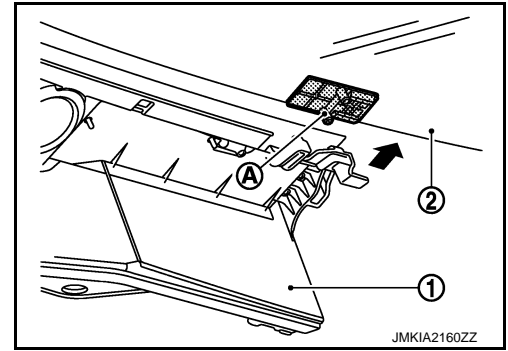
Note the following itmes, and install in the reverse order of removal.

A  
B  
C  
D  
E  
F  
G  
H  
I  
J  
EXT  
L  
M  
N  
O  
P

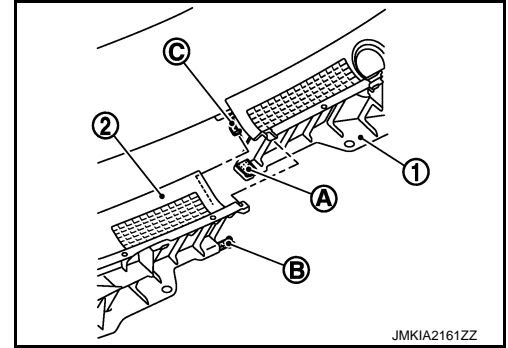
## COWL TOP

### < REMOVAL AND INSTALLATION >

- Align concave of cowl top cover RH (1) to windshield glass (2) pin (A) as shown in the figure when installing.



- Slide the pawl while aligning with the concave part of (C).
- Engage the joint of pawl of (A) with (B), and then assemble cowl top covers LH (1) and RH (2).



### **CAUTION:**

- Always replace EPT sealer with a new one, if the cowl top cover is reused.
- After installing, perform adjustment of wiper arm. Refer to [WW-114, "Adjustment"](#).



# FENDER PROTECTOR

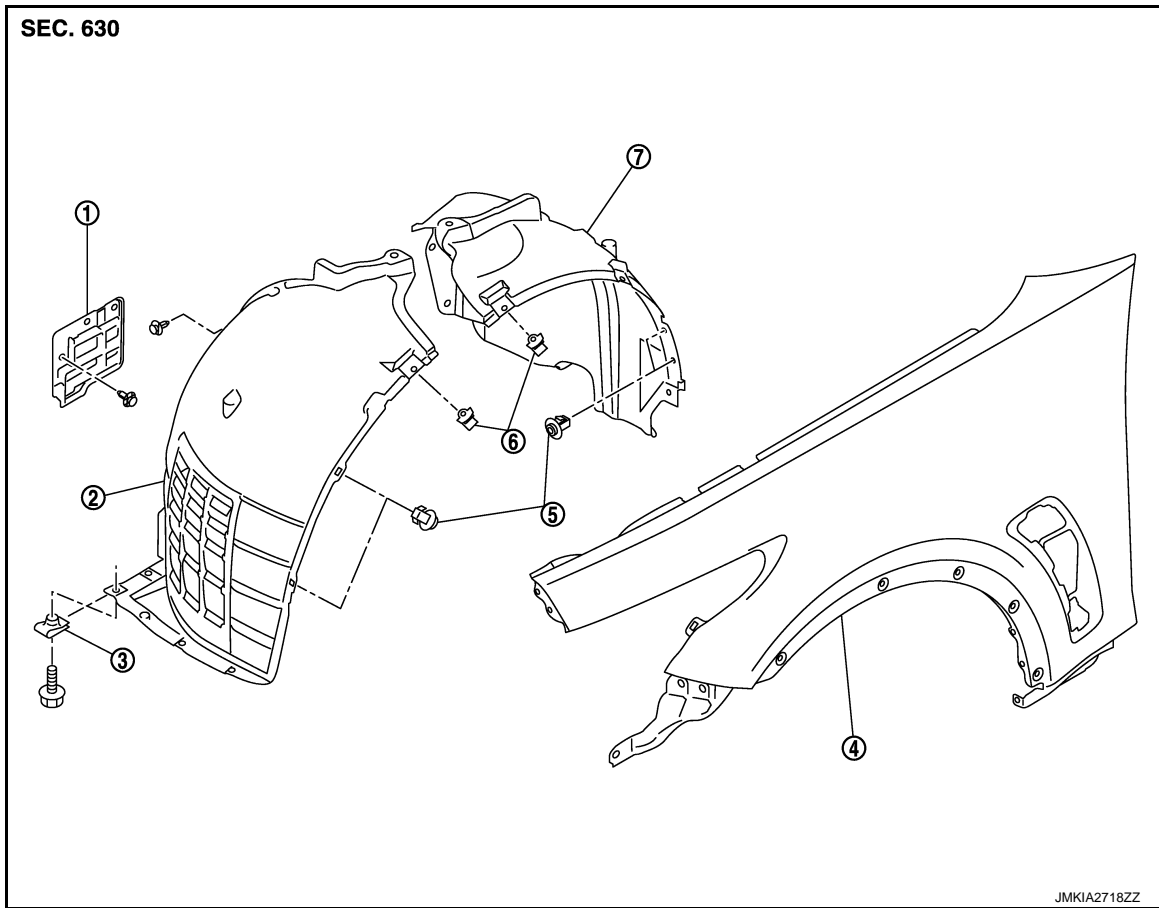
< REMOVAL AND INSTALLATION >

## FENDER PROTECTOR

## FENDER PROTECTOR

## FENDER PROTECTOR : Exploded View

INFOID:000000003910504



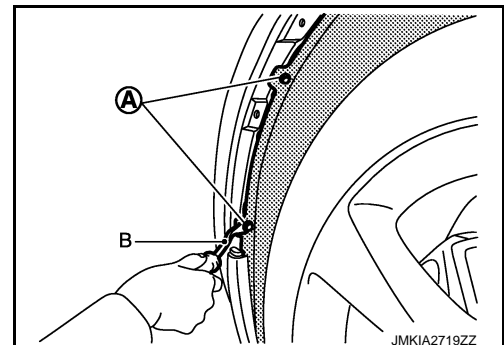
- |                              |                             |                |
|------------------------------|-----------------------------|----------------|
| 1. Splash guard (AWD models) | 2. Fender protector (front) | 3. J-nut       |
| 4. Front fender              | 5. Grommet                  | 6. Fender clip |
| 7. Fender protector (rear)   |                             |                |

## FENDER PROTECTOR : Removal and Installation

INFOID:000000003910505

### REMOVAL

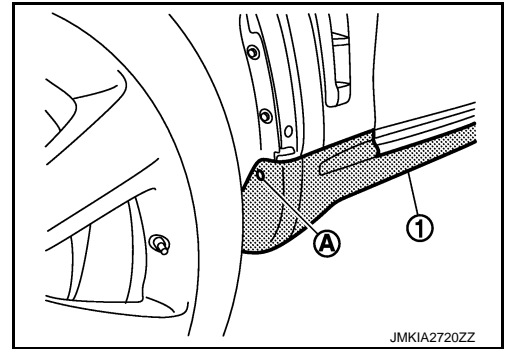
1. Remove front fillet molding. Refer to [EXT-32. "Removal and Installation"](#).
2. Remove front fender protectors (front and rear side) fixing grommets (A) with a remover tool (B).



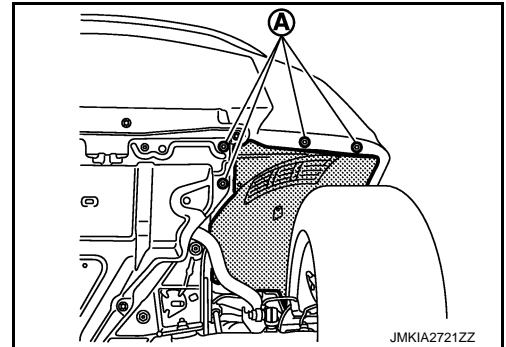
# FENDER PROTECTOR

## < REMOVAL AND INSTALLATION >

3. Remove center mud guard (1) fixing screw (A).



5. Remove fender protector (rear) fixing clips.
6. Disengage fender clip from front fender arches, and then remove fender protector (rear).
7. Remove fender protector (front) fixing bolts (A).



8. Remove fender protector (front) mounting clips.
9. Remove fender clip from wheel house arches, and then remove fender protector (front) from wheel house.
10. Remove the following parts after removing front fender protector.
  - Fender clips
  - J-nut

## INSTALLATION

Install in the reverse order of removal.

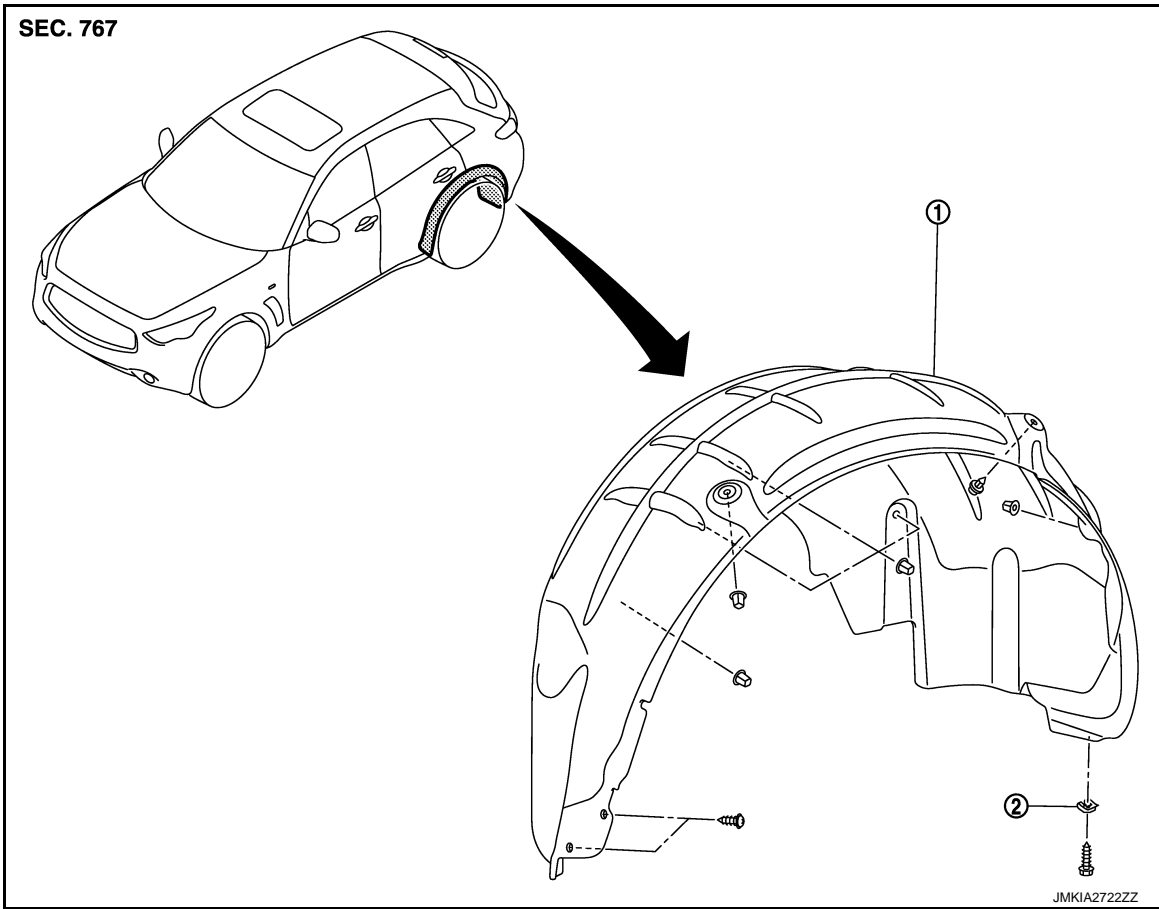
## REAR WHEEL HOUSE PROTECTOR

# FENDER PROTECTOR

< REMOVAL AND INSTALLATION >

## REAR WHEEL HOUSE PROTECTOR : Exploded View

INFOID:000000003910506



1. Rear wheel house protector      2. Spring nut

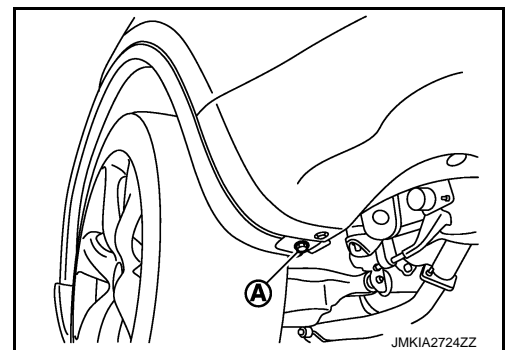
## REAR WHEEL HOUSE PROTECTOR : Removal and Installation

INFOID:000000003910507

EXT

### REMOVAL

1. Remove bolt (A) of rear wheel house protector rear end.

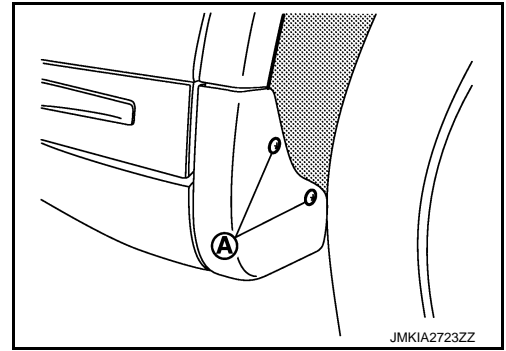


A  
B  
C  
D  
E  
F  
G  
H  
I  
J  
L  
M  
N  
O  
P

## FENDER PROTECTOR

### < REMOVAL AND INSTALLATION >

2. Remove screws (A) of rear wheel house protector located on center mud guard.



3. Remove rear wheel house protector fixing clips and grommets and then remove rear wheel house protector.

### INSTALLATION

Install in the reverse order of removal.

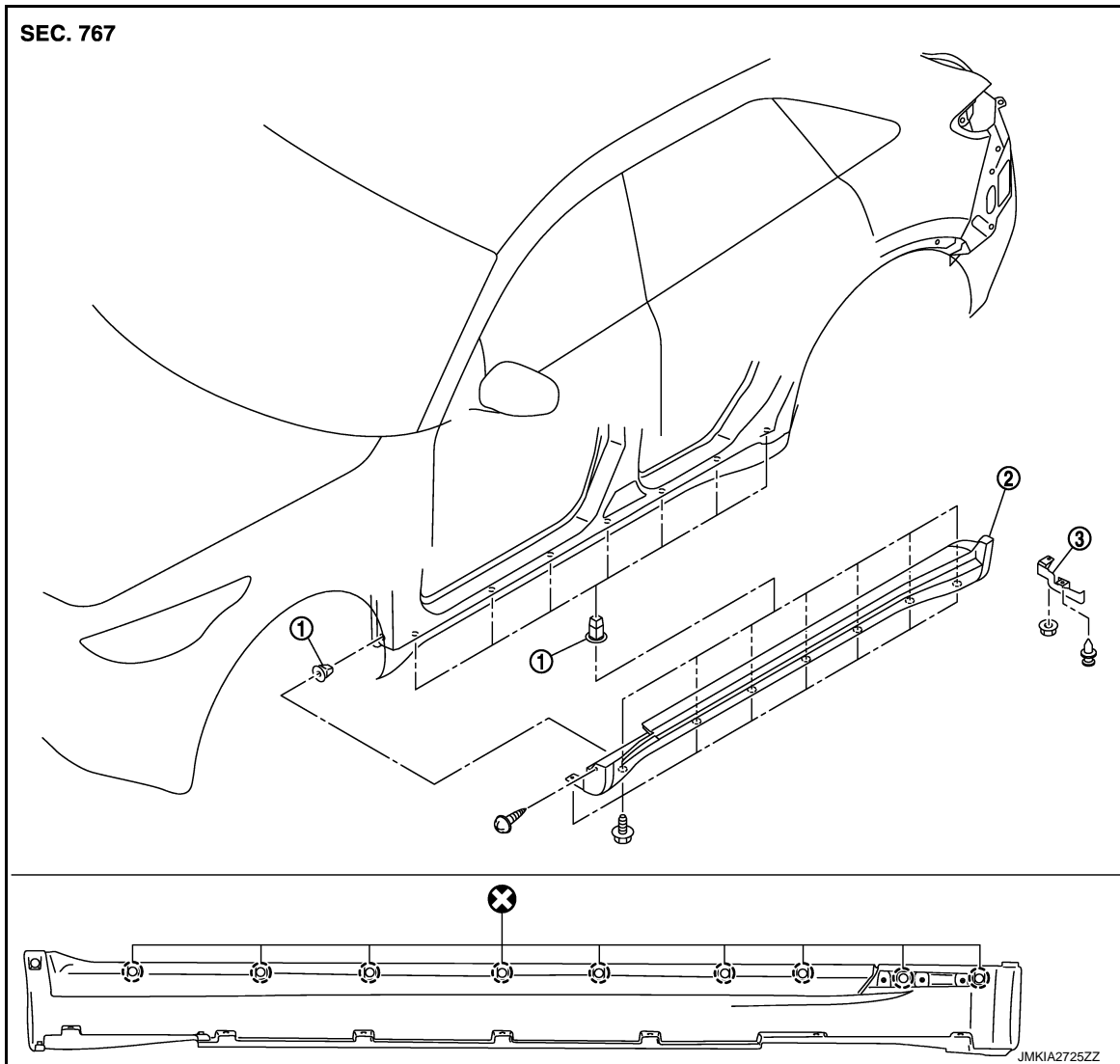
# CENTER MUD GUARD

< REMOVAL AND INSTALLATION >

## CENTER MUD GUARD

Exploded View

INFOID:000000003910508



1. Grommet

2. Center mud guard

3. Wind deflector

⊗ : Clip

Refer to [GI-4, "Components"](#) for symbols in the figure.

## Removal and Installation

INFOID:000000003910509

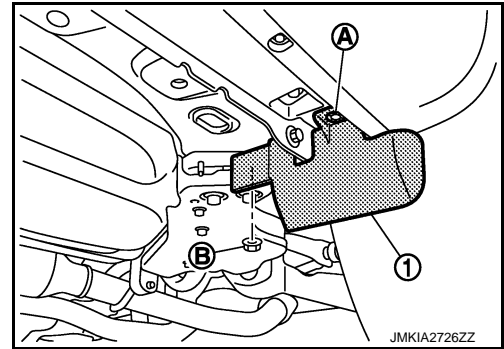
### REMOVAL

A  
B  
C  
D  
E  
F  
G  
H  
I  
J  
EXT  
L  
M  
N  
O  
P

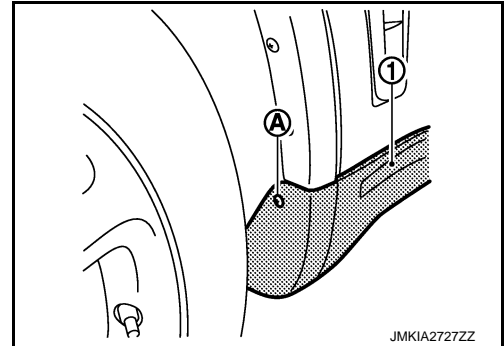
# CENTER MUD GUARD

## < REMOVAL AND INSTALLATION >

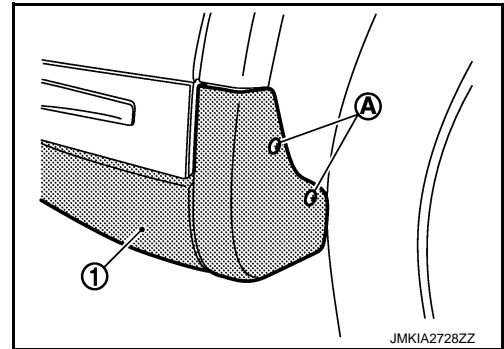
1. Remove wind deflector (1) fixing clip (A) and nut (B), and then remove wind deflector.




2. Remove screw (A) of center mud guard (1) front end.



3. Remove screws (A) of center mud guard (1) rear end.

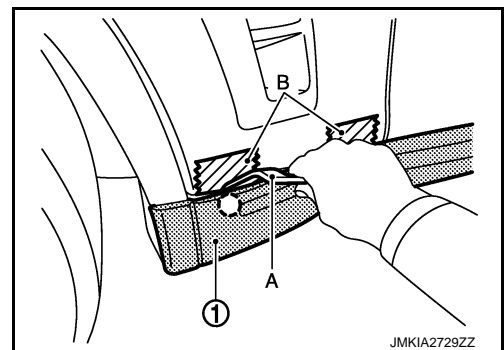


4. Remove bolts of center mud guard underside.
5. Fully open front door and rear door.
6. Remove clips from back side of center mud guard (1) with a remover tool (A).

 : Clip

### CAUTION:

- Apply protective tape (B) on the body to protect the painted surface from damage.
- Never use an item as a remover tool that could damage body panel.
- Disengage the clips slowly and carefully.
- Never pull the center mud guard strongly.



7. Remove center mud guard from body side.

## INSTALLATION

Install in the reverse order of removal.

### CAUTION:

- Always replace clips with a new one, if the center mud guard is reused.
- When installing center mud guard, check that clips are securely fitted in body panel holes, and then press them in.

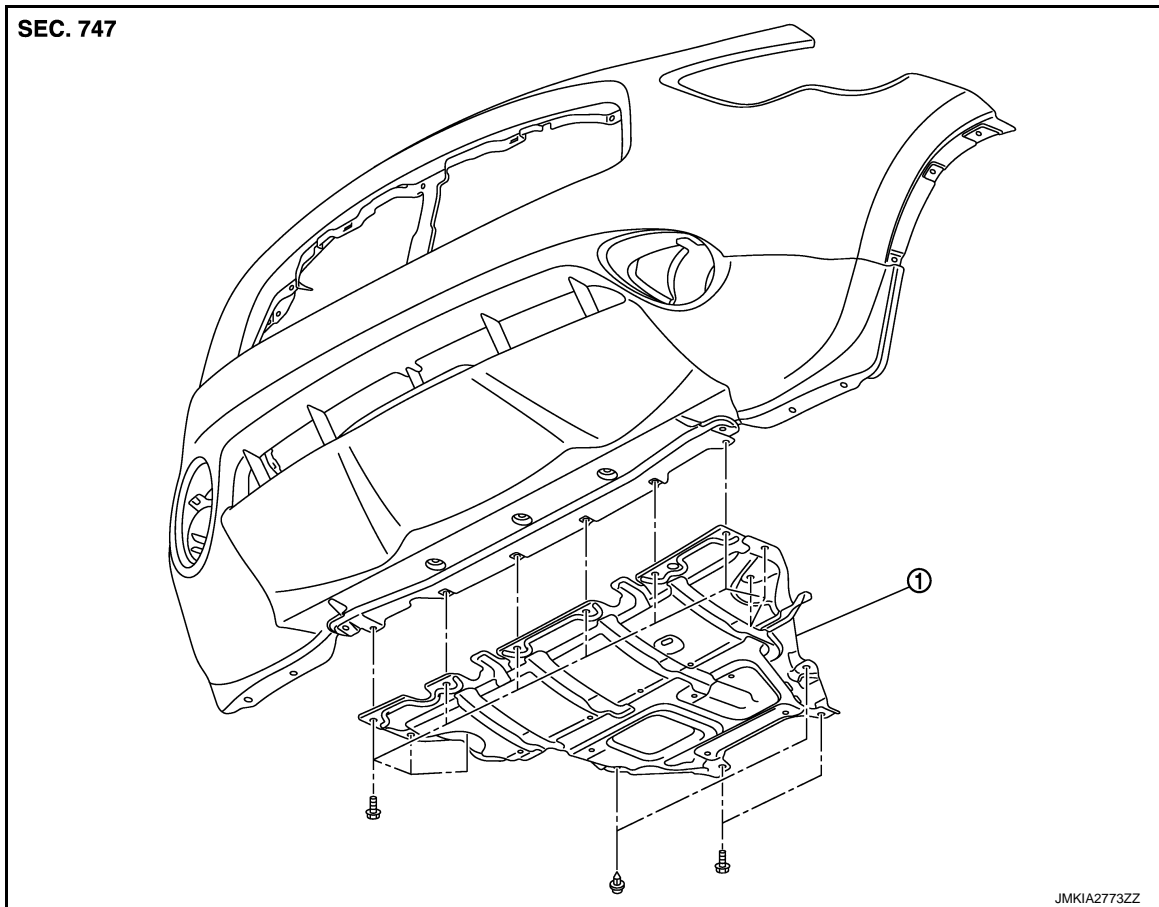
# FLOOR SIDE FAIRING

< REMOVAL AND INSTALLATION >

## FLOOR SIDE FAIRING

Exploded View

INFOID:000000003910510



1. Floor under cover

### Removal and Installation

INFOID:000000003910511

#### REMOVAL

1. Remove front under cover fixing clips and bolts.
2. Remove front under cover.

#### INSTALLATION

Install in the reverse order of removal.

A  
B  
C  
D  
E  
F  
G  
H  
I  
J

EXT

L  
M  
N  
O  
P

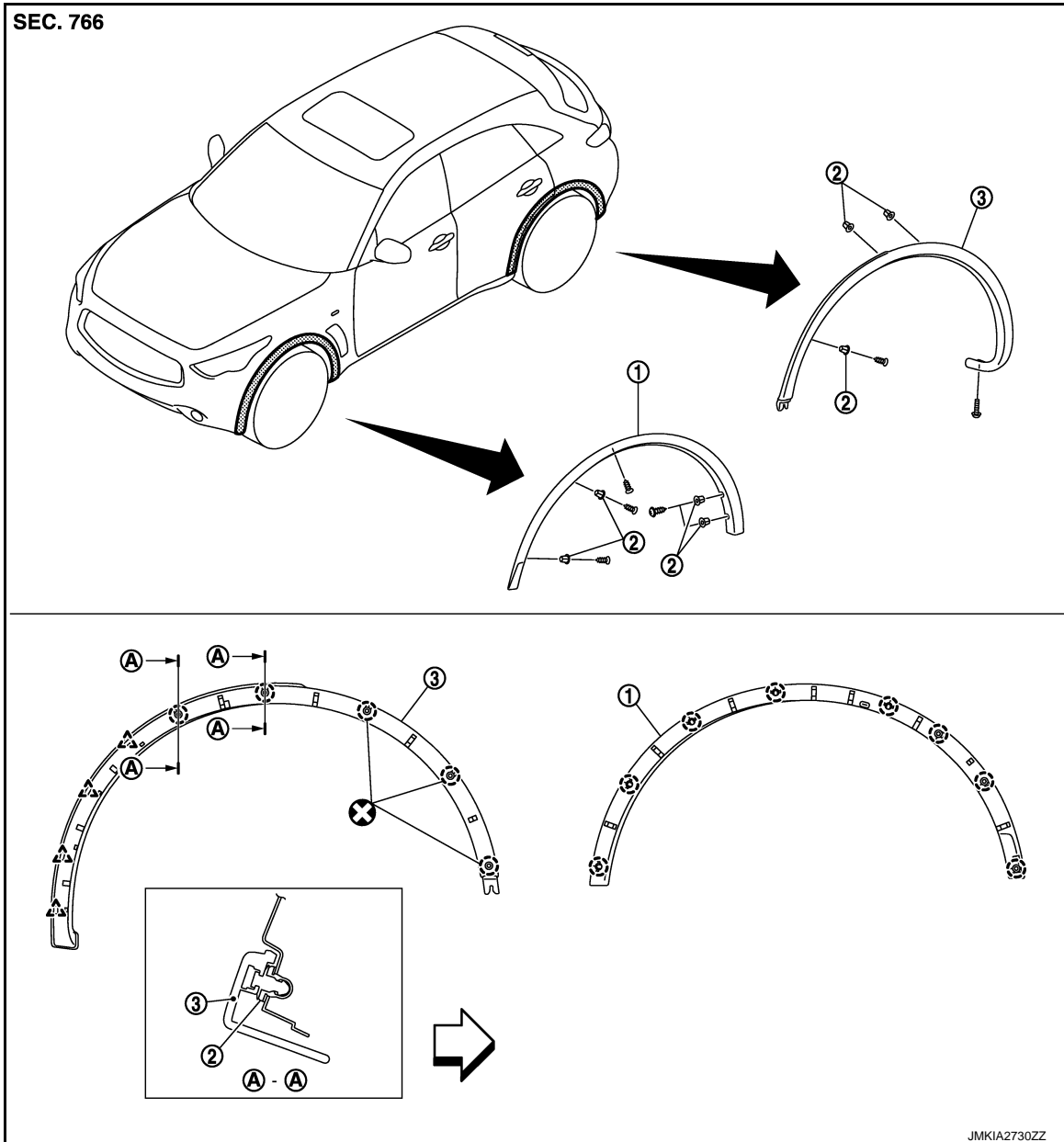
# FILLET MOLDING

< REMOVAL AND INSTALLATION >

## FILLET MOLDING

Exploded View

INFOID:000000003910512



1. Front fillet molding

2. Grommet

3. Rear fillet molding

○ : Clip

△ : Pawl

← : Vehicle front

Refer to [GI-4, "Components"](#) for symbols in the figure.

## Removal and Installation

INFOID:000000003910513

### REMOVAL

#### FRONT FILLET MOLDING


1. Remove front fillet molding fixing screws.



# FILLET MOLDING

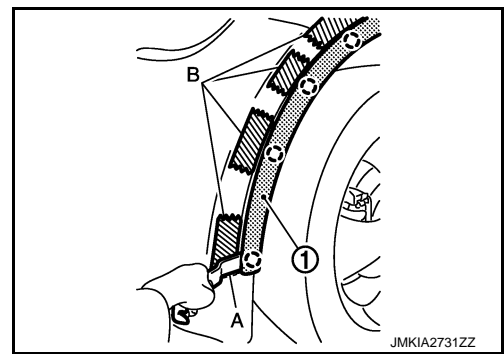
## < REMOVAL AND INSTALLATION >

- Disengage the fillet molding (1) fixing clips from front end to rear end with a remover tool (A).

 : Clip


### CAUTION:

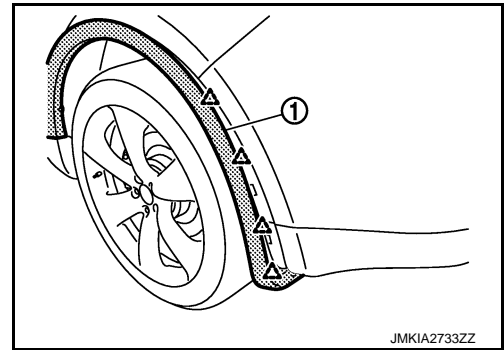
- Apply a protective tape (B) on the bumper fascia and fender to protect the painted surface from damage.
- Never use an item as a remover tool that could damage bumper fascia assembly and front fender.
- Disengage the clips slowly and carefully.
- Never pull the front fillet molding strongly.




## REAR FILLET MOLDING

- Remove rear fillet molding fixing screws.
- Disengage the pawls from the rear fillet molding (1) rear side.

 : Pawl

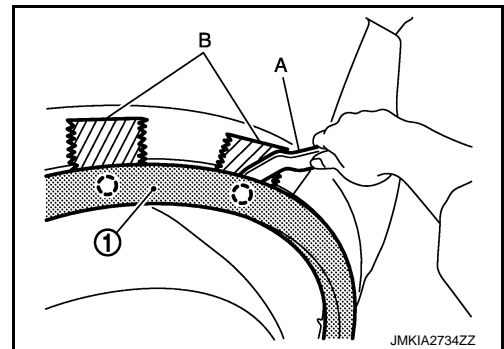


- Disengage the clips from the rear fillet molding (1) from the rear end to front end with a remover tool (A).

 : Clip

### CAUTION:

- Apply protective tape (B) on the body to protect the painted surface from damage.
- Never use an item as a remover tool which could damage body panel.
- Disengage the clips slowly and carefully.
- Never pull the rear fillet molding strongly.

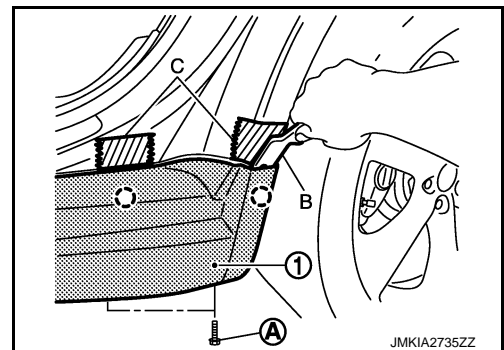


- Remove the center mud guard (1) mounting bolts (A) from rear end of center mud guard under side.
- Disengage the center mud guard fixing clips with a remover tool (B), and then release the rear end of center mud guard.

### CAUTION:

- Apply a protective tape (C) on the body to protect the painted surface from damage.
- Never use an item as a remover tool which could damage body panel.
- Disengage the clips slowly and carefully.
- Never pull the center mud guard strongly.

- Remove the rear fillet molding from the vehicle.



## INSTALLATION

Install in the reverse order of removal.

### CAUTION:

- When installing, visually check the fillet molding and the clips, then replace them with new parts if they are damaged.
- When installing fillet molding, check that blind clips are securely fitted in body panel holes, and then press them in.

A  
B  
C  
D  
E  
F  
G  
H  
I  
J  
EXT  
L  
M  
N  
O  
P

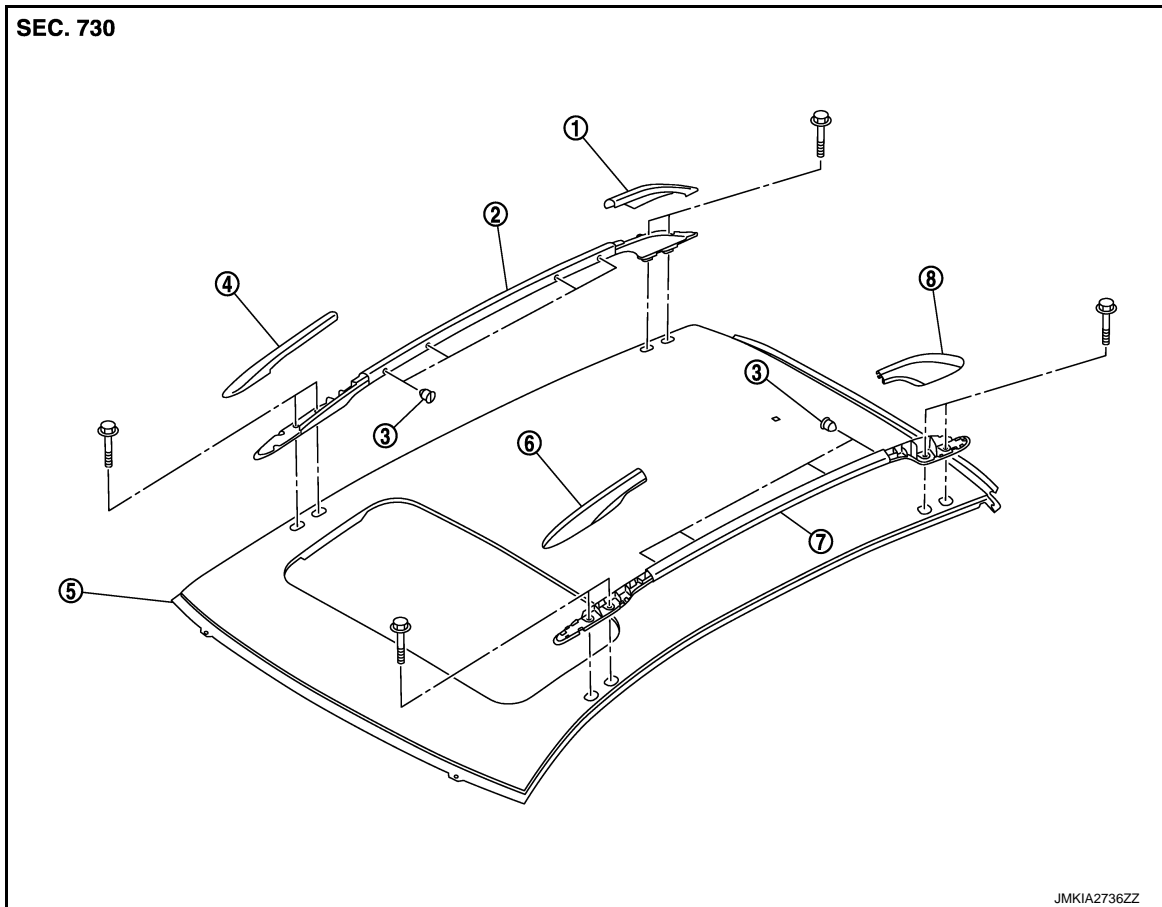
# ROOF RAIL

< REMOVAL AND INSTALLATION >

## ROOF RAIL

Exploded View

INFOID:000000003910514



- |                             |                            |                             |
|-----------------------------|----------------------------|-----------------------------|
| 1. Rear roof rail cover RH  | 2. Roof rail assembly RH   | 3. Roof rail cap            |
| 4. Front roof rail cover RH | 5. Roof panel              | 6. Front roof rail cover LH |
| 7. Roof rail assembly LH    | 8. Rear roof rail cover LH |                             |

## Removal and Installation


INFOID:000000003910515

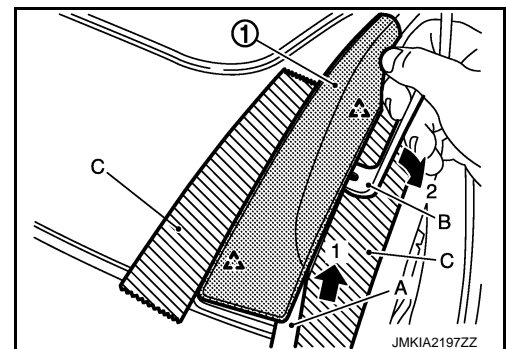
### REMOVAL

1. Insert a remover tool (A) into front space.
2. Remove front roof rail cover (1) outside pawls with a remover tool (B).

**CAUTION:**

Apply protective tape (C) around the roof rail to protect the painted surface from damage.


 : Pawl

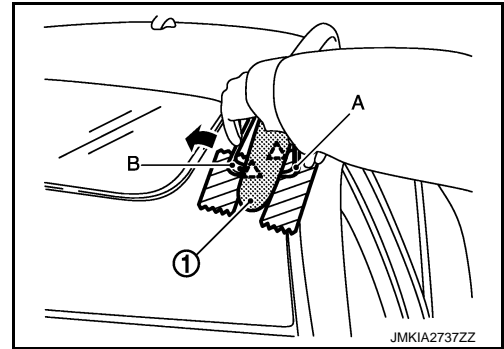


# ROOF RAIL

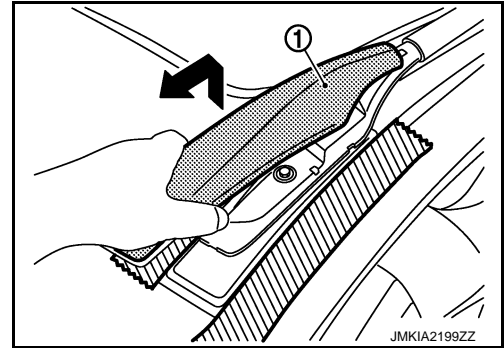
## < REMOVAL AND INSTALLATION >

3. Insert a remover tool (A) into outside space.
4. Remove front roof rail cover (1) inside pawls with a remover tool (B).

 : Pawl




5. Pull front roof rail cover (1) toward the arrow direction.

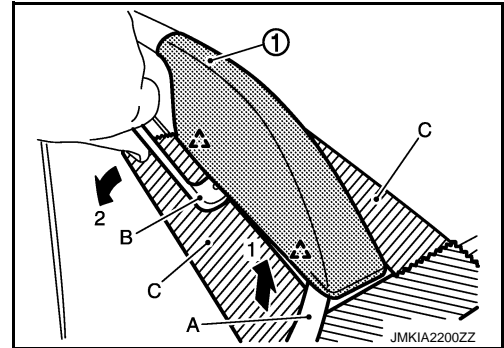


6. Insert a remover tool (A) into rear space.
7. Remove rear roof rail cover (1) outside pawls with a remover tool (B).


**CAUTION:**

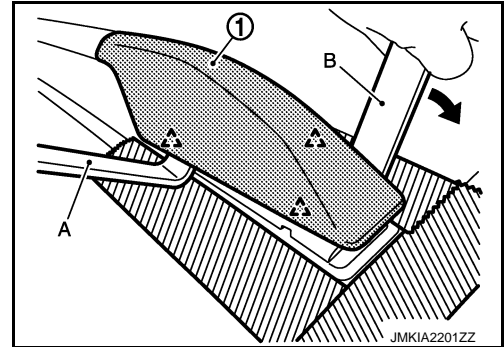
Apply protective tape (C) around the roof rail to protect the painted surface from damage.

 : Pawl

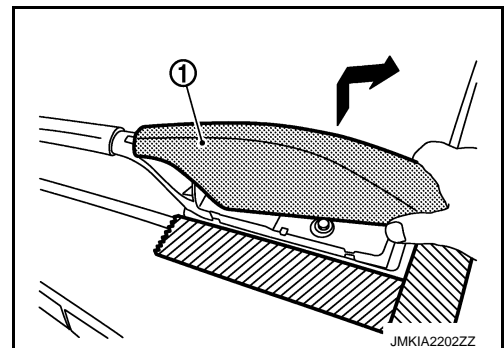


8. Insert a remover tool (A) into outside space.
9. Remove rear roof rail cover (1) inside pawls with a remover tool (B).

 : Pawl



10. Pull rear roof rail cover (1) toward the direction of the arrow.



A  
B  
C  
D  
E  
F  
G  
H  
I  
J  
EXT  
L  
M  
N  
O  
P

## ROOF RAIL

### < REMOVAL AND INSTALLATION >

---

11. Remove roof rail assembly mounting bolts, and then remove roof rail assembly.

### INSTALLATION

Install in the reverse order of removal.

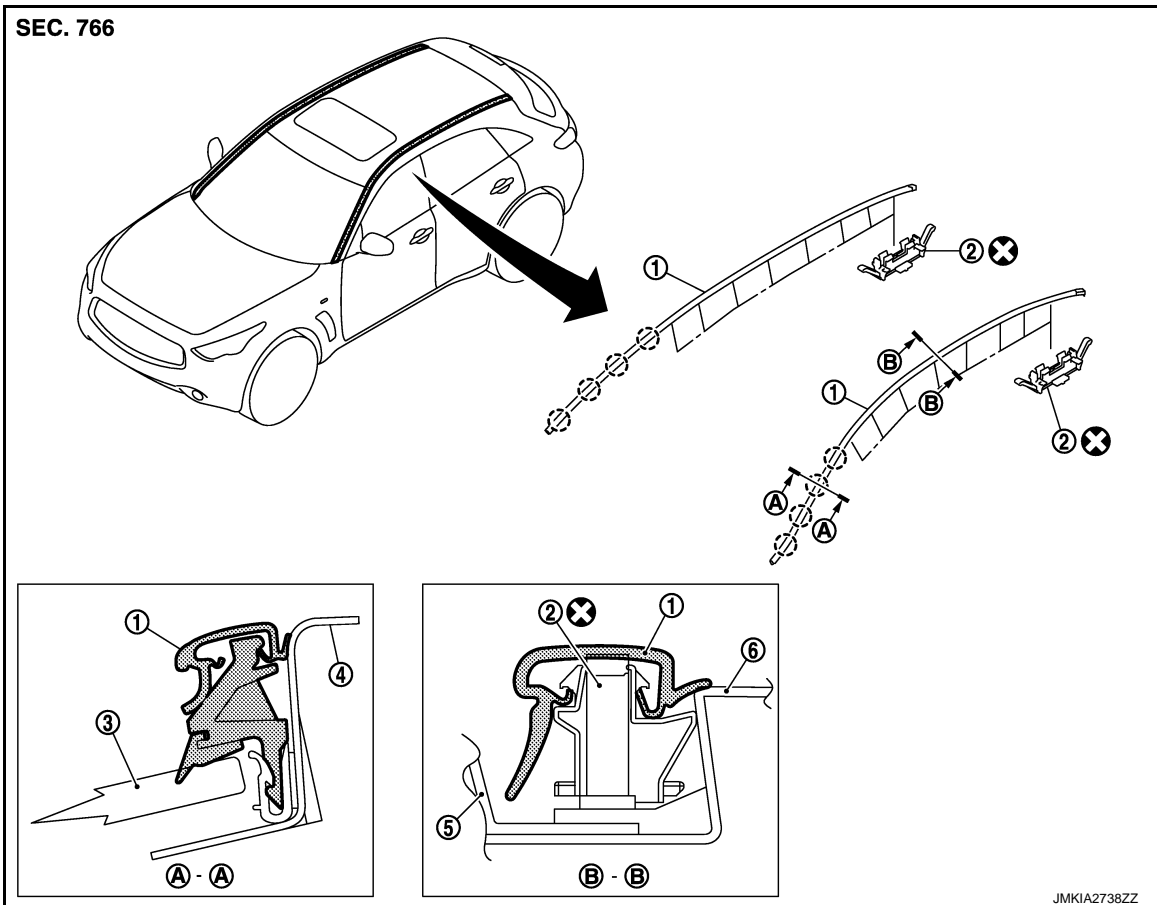
# ROOF SIDE MOLDING

< REMOVAL AND INSTALLATION >

## ROOF SIDE MOLDING

Exploded View

INFOID:000000003910516



- |                       |                           |                           |
|-----------------------|---------------------------|---------------------------|
| 1. Roof side molding  | 2. Roof side molding clip | 3. Front windshield glass |
| 4. Front pillar panel | 5. Roof panel             | 6. Body side panel        |

: Clip

Refer to [GI-4, "Components"](#) for symbols in the figure.

## Removal and Installation

INFOID:000000003910517

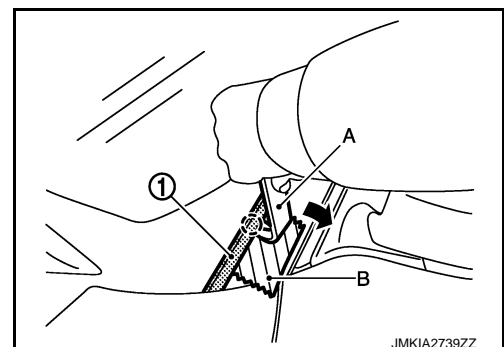
### REMOVAL

1. Remove front fender cover. Refer to [EXT-22, "Exploded View"](#).
2. Insert a remover tool (A) into front space.
3. Disengage roof side molding (1) fixing clips from front end to rear end with a remover tool.

: Clip

#### CAUTION:

- Apply protective tape (B) on the body to protect the painted surface from damage.
- Never use an item as a remover tool that could damage body panel.
- Disengage the clips slowly and carefully.
- Never pull the roof side molding strongly.



### INSTALLATION

A  
B  
C  
D  
E  
F  
G  
H  
I  
J

EXT

L

M

N

O

P

## ROOF SIDE MOLDING

### < REMOVAL AND INSTALLATION >

---

Install from roof side molding rear end to front end in this order after temporarily holding.

#### REMOVAL AND INSTALLATION OF ROOF SIDE MOLDING CLIP

##### Removal

1. Remove roof side molding.
2. Heat adhesive tape interface using a dryer, and then peel roof side molding clips (body side) using long-nose pliers.

##### **CAUTION:**

**Be careful not to damage the body.**

##### Installation

1. Clean tape removed surface with a shop cloth soaked in white gasoline or IPA.
2. Use two-part epoxy adhesive.

**Adhesive** : 3M-weld DP-100 or an equivalent

3. Apply adhesive evenly to clip tape surface.

**Thickness** : Approximately 0.5 mm (0.020 in)

4. Position applied parts to the proper location, and then sufficiently press-fit until the adhesive protrudes to tape side.

**Press-fit limit** : 19.6 N (2.0 kg - 4.41 lb) × 2 seconds

5. Tape clips after press fit, and temporarily hold it for specified time based on the following items.

**5 to 10°C (41 to 50°F)** : 1 hour or more

**11 to 23°C (52 to 73°F)** : 30 minutes or more

**24°C or more (75°F or more)** : 15 minutes or more

6. Install from roof side molding rear end to front end in this order after temporarily holding.

##### **CAUTION:**

- Use double-faced adhesive tape after hardening for clips.
- Securely insert molding rear end cap onto roof rear end cutout (installation standard).
- When installing roof side molding of windshield portion, check that molding fastener is securely inserted and then press in.
- Never wash the vehicle within 24 hours so as to keep adhesive.

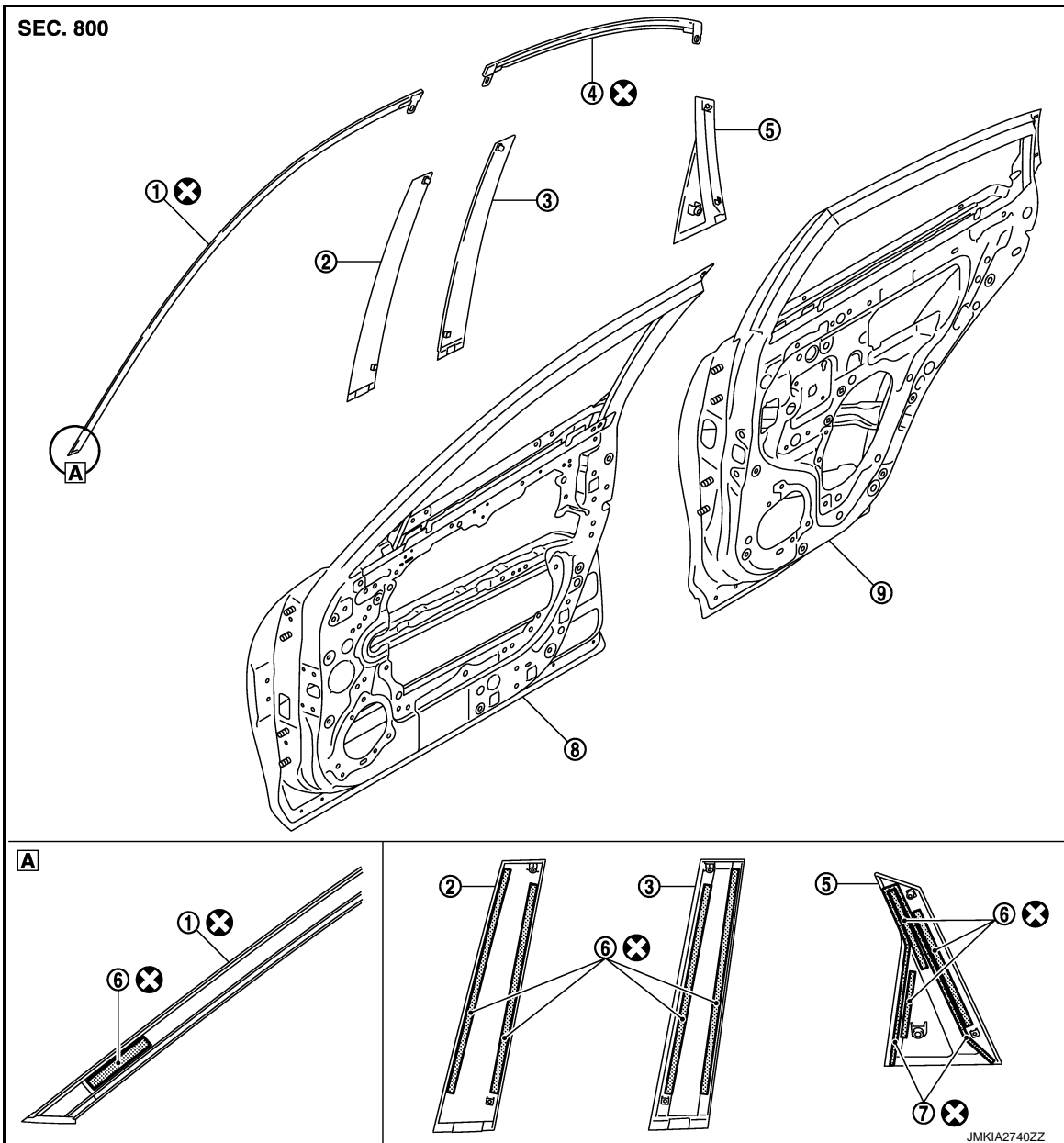
# DOOR SASH MOLDING

< REMOVAL AND INSTALLATION >

## DOOR SASH MOLDING

Exploded View

INFOID:000000003910518



- |                            |                                    |                                     |
|----------------------------|------------------------------------|-------------------------------------|
| 1. Front door sash molding | 2. Front door sash outer cover     | 3. Rear door sash outer cover front |
| 4. Rear door sash molding  | 5. Rear door sash outer cover rear | 6. Double-faced adhesive tape       |
| 7. EPT sealer              | 8. Front door panel                | 9. Rear door panel                  |

Refer to [GI-4, "Components"](#) for symbols in the figure.

## Removal and Installation

INFOID:000000003910519

### REMOVAL

#### FRONT DOOR SASH MOLDING

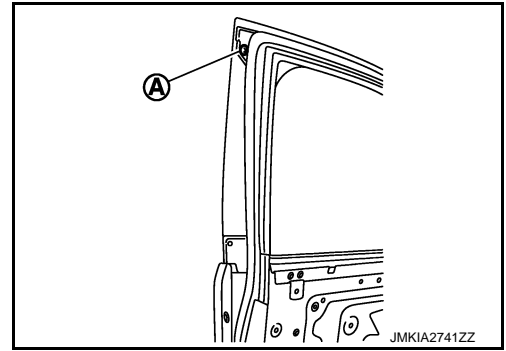
1. Remove front door sash inner cover. Refer to [INT-11, "Exploded View"](#).
2. Remove door mirror assembly. Refer to [MIR-69, "DOOR MIRROR ASSEMBLY : Removal and Installation"](#)

A  
B  
C  
D  
E  
F  
G  
H  
I  
J  
EXT  
L  
M  
N  
O  
P

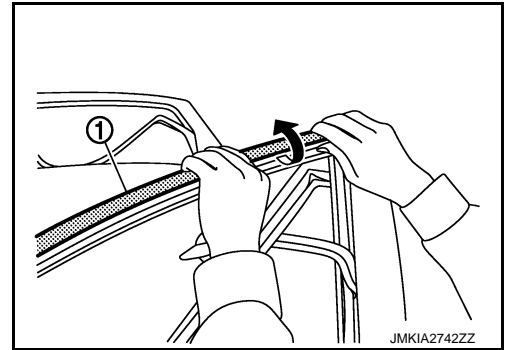
## DOOR SASH MOLDING

### < REMOVAL AND INSTALLATION >

3. Remove front door sash molding mounting screw (A).

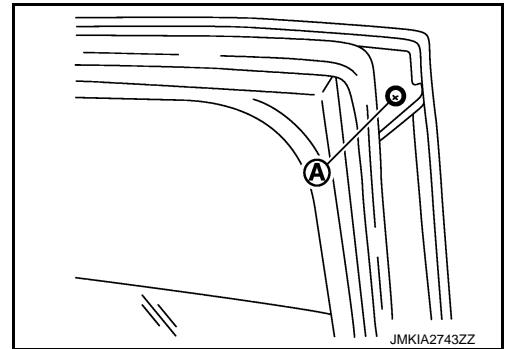


4. Release front door weather-strip and glass run rubber.
5. Twist and push to upper side, and then remove front door sash molding (1).

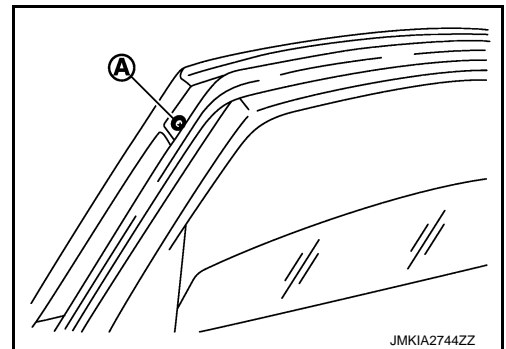


### REAR DOOR SASH MOLDING

1. Remove rear door sash molding mounting screw (A) from front end.



2. Remove rear door sash molding mounting screw (A) from rear end.



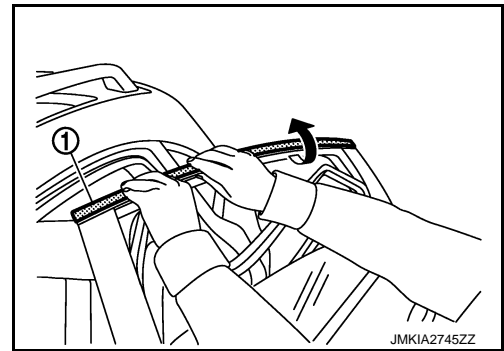
3. Release rear door weather-strip and glass run rubber.



# DOOR SASH MOLDING

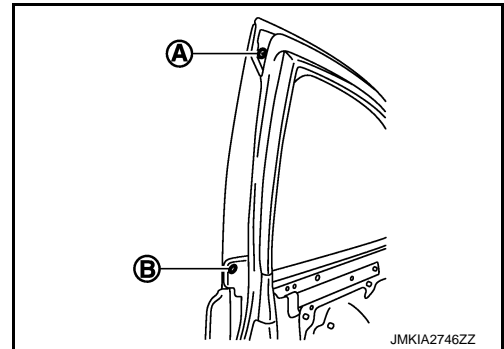
## < REMOVAL AND INSTALLATION >

4. Twist and push to upper side, and then remove rear door sash molding (1).



## FRONT DOOR SASH OUTER COVER

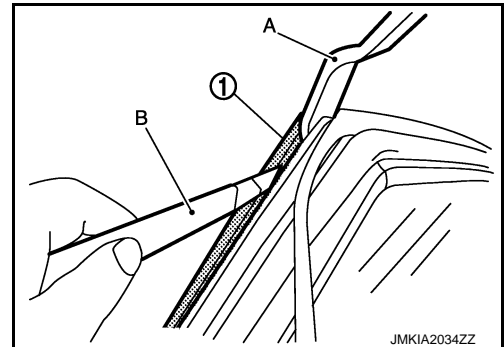
1. Remove front door outside molding. Refer to [EXT-43. "Removal and Installation"](#).
2. Remove front door sash outer cover mounting screw (A) and clip (B).



3. Release front door sash outer cover connection between front door panel and cover (1), with a remover tool (A) and cutter knife (B), and take off double-faced adhesive tape.

**CAUTION:**

**Never use an item as a remover tool that could damage door panel.**

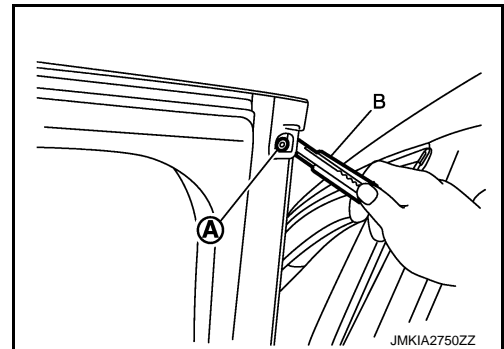


## REAR DOOR SASH OUTER COVER FRONT

1. Remove rear door outside molding. Refer to [EXT-43. "Removal and Installation"](#).
2. Remove rear door sash outer cover front mounting screw (A).
3. Release rear door sash outer cover front connection between rear door panel and cover, with a cutter knife (B), and take off double-faced adhesive tape.

**CAUTION:**

**Never use an item as a remover tool that could damage door panel.**



## REAR DOOR SASH OUTER COVER REAR

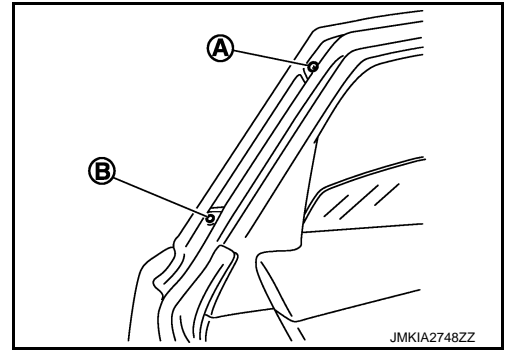
1. Remove rear door outside molding. Refer to [EXT-43. "Removal and Installation"](#).

A  
B  
C  
D  
E  
F  
G  
H  
I  
J  
EXT  
L  
M  
N  
O  
P

## DOOR SASH MOLDING

### < REMOVAL AND INSTALLATION >

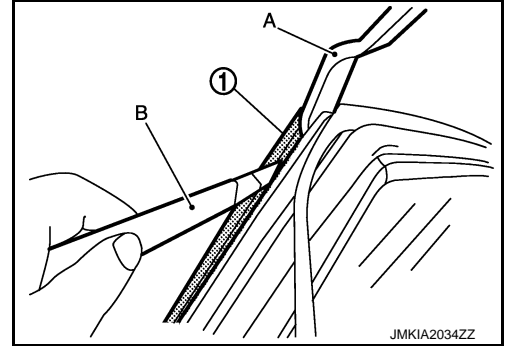
2. Remove rear door sash outer cover rear mounting screw (A) and clip (B).



3. Release rear door sash outer cover rear connection between rear door panel and cover (1), with a remover tool (A) and cutter knife (B), and take off double-faced adhesive tape.

**CAUTION:**

**Never use an item as a remover tool that could damage door panel.**



### INSTALLATION

Install in the reverse order of removal.

**CAUTION:**

- Always replace front/rear door sash molding, front/rear door sash cover and rear door sash cover rear with a new one.
- Remove double-faced adhesive tape remaining on door panel and back of door sash cover with a double-faced adhesive tape remover, after removing door sash cover.
- Never wash the vehicle within 24 hours after installing so as to keep adhesive.

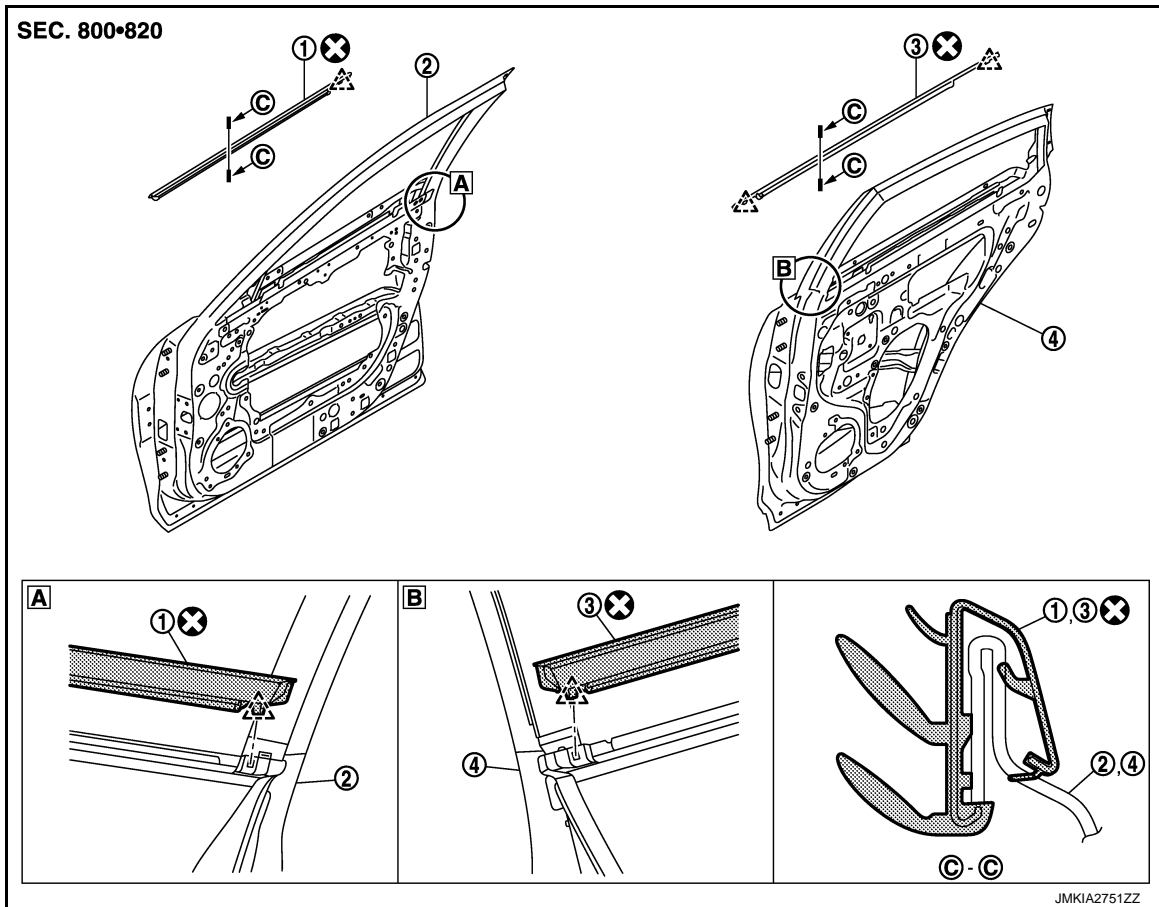
# DOOR OUTSIDE MOLDING

< REMOVAL AND INSTALLATION >

## DOOR OUTSIDE MOLDING

Exploded View

INFOID:000000003910520



1. Front door outside molding      2. Front door panel      3. Rear door outside molding

4. Rear door panel

: Pawl

Refer to [GI-4. "Components"](#) for symbols in the figure.

## Removal and Installation

INFOID:000000003910521

### REMOVAL

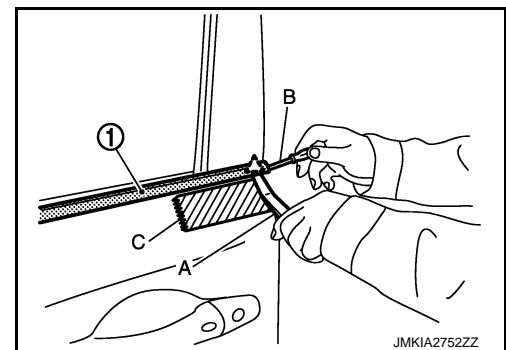
#### FRONT DOOR OUTSIDE MOLDING

1. Fully open door window.
2. Insert a remover tool (A) into lower space.
3. Disengage front door outside molding (1) fixing pawl (rear side) with flat-bladed screwdriver (B).

: Pawl

#### CAUTION:

- Apply protection tape (C) on the door panel to protect the painted surface from damage.
- Never use an item as a remover tool that could damage door panel.



JMKIA2752ZZ

A  
B  
C  
D  
E  
F  
G  
H  
I  
J

EXT

L

M

N

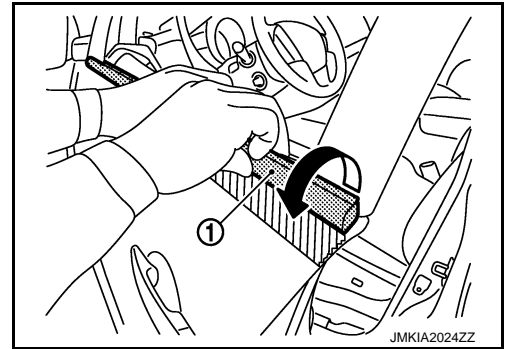
O

P

## DOOR OUTSIDE MOLDING


### < REMOVAL AND INSTALLATION >

4. Twist and pull up to upper side, and then remove front door outside molding (1).



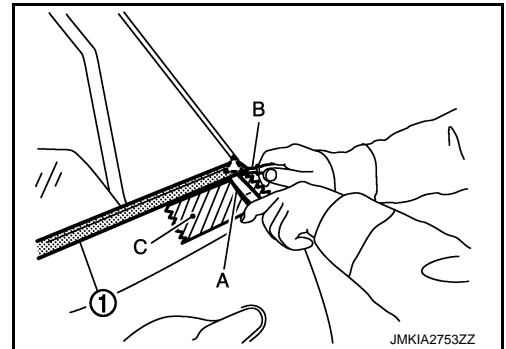
### REAR DOOR OUTSIDE MOLDING

1. Fully open door window.
2. Insert a remover tool (A) into lower space.
3. Disengage rear door outside molding (1) fixing pawl (rear side) with flat-bladed screwdriver (B).


 : Pawl

#### CAUTION:

- Apply protection tape (C) on the door panel to protect the painted surface from damage.
- Never use an item as a remover tool that could damage door panel.

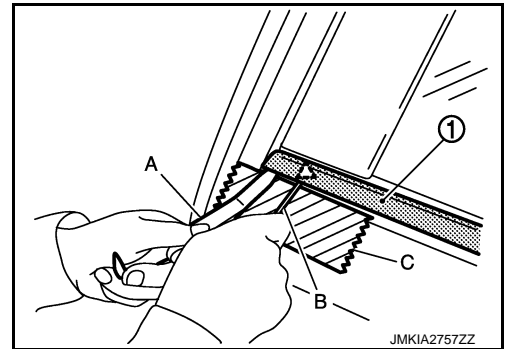


4. Insert a remover tool (A) into lower space.
5. Disengage rear door outside molding (1) fixing pawl (front side) with flat-bladed screwdriver (B).

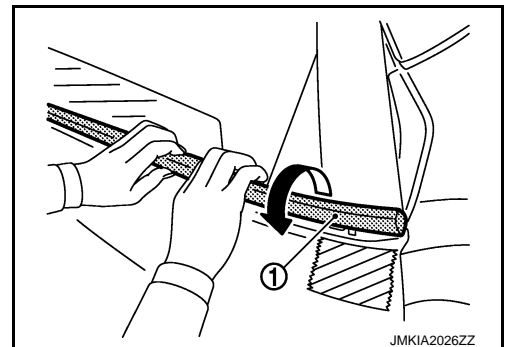
 : Pawl

#### CAUTION:

- Apply protection tape (C) on the door panel to protect the painted surface from damage.
- Never use an item as a remover tool that could damage door panel.



6. Twist and pull up to upper side, and then remove rear door outside molding (1).



### INSTALLATION

Install in the reverse order of removal.

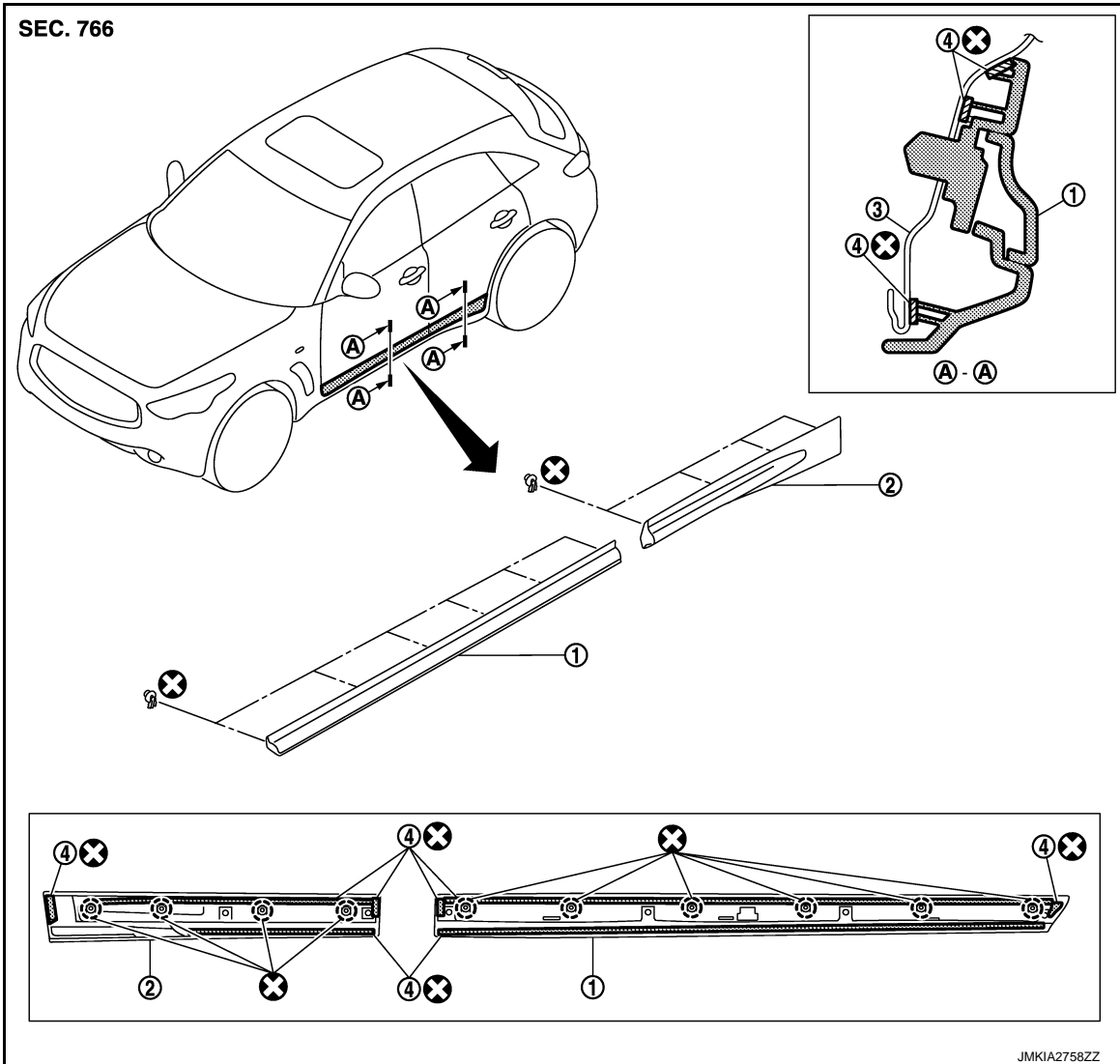
# DOOR OUTSIDE LOWER MOLDING

< REMOVAL AND INSTALLATION >

## DOOR OUTSIDE LOWER MOLDING

Exploded View

INFOID:000000003910522



- 1. Front door outside lower molding
- 2. Rear door outside lower molding
- 3. Front door panel
- 4. Double-faced adhesive tape

⊗ : Clip

Refer to [GI-4. "Components"](#) for symbols in the figure.

### Removal and Installation

INFOID:000000003910523

#### REMOVAL

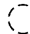
#### FRONT DOOR OUTSIDE LOWER MOLDING

A  
B  
C  
D  
E  
F  
G  
H  
I  
J  
EXT  
L  
M  
N  
O  
P

## DOOR OUTSIDE LOWER MOLDING

### < REMOVAL AND INSTALLATION >

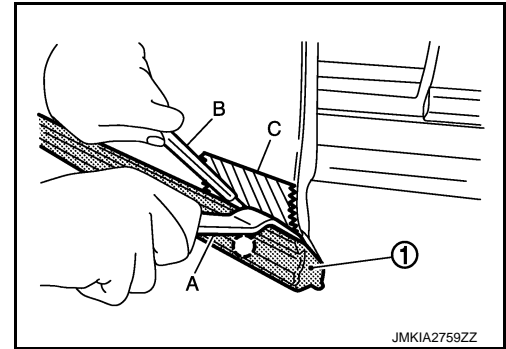
1. With a remover tool (A) and cutter knife (B) and take off double-faced adhesive tape, and then disengage front door outside lower molding (1) fixing clips from rear end to front end.

 : Clip

#### CAUTION:


- Apply protective tape (C) on the door panel to protect the painted surface from damage.
- Never use an item as a remover tool that could damage door panel.
- Disengage the clips slowly and carefully.
- Never pull the front door outside lower molding.

2. Remove front door outside lower molding.



### REAR DOOR OUTSIDE LOWER MOLDING

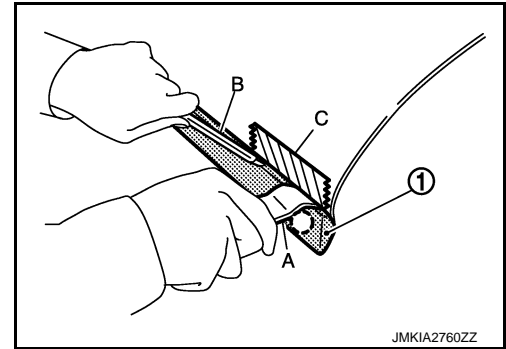
1. With a remover tool (A) and cutter knife (B), take off double-faced adhesive tape, and then disengage rear door outside lower molding (1) fixing clips from rear end to front end.

 : Clip

#### CAUTION:

- Apply protective tape (C) on the door panel to protect the painted surface from damage.
- Never use an item as a remover tool that could damage door panel.
- Disengage the clips slowly and carefully.
- Never pull the rear door outside lower molding.

2. Remove rear door outside lower molding.



### INSTALLATION

Install in the reverse order of removal.

#### CAUTION:

- Always replace double-faced adhesive tape with a new one, if door outside lower molding is reused.
- Remove double-faced adhesive tape remaining on door panel and back of door outside lower molding with a double-faced adhesive tape remover, after removing door outside lower molding.
- When installing, visually check the door outside lower molding and the clips, then replace them with new parts if they are damaged.
- When installing door outside lower molding, check that clips are securely fitted in door panel holes, and then press them in.
- Never wash the vehicle within 24 hours after installing so as to keep adhesive.

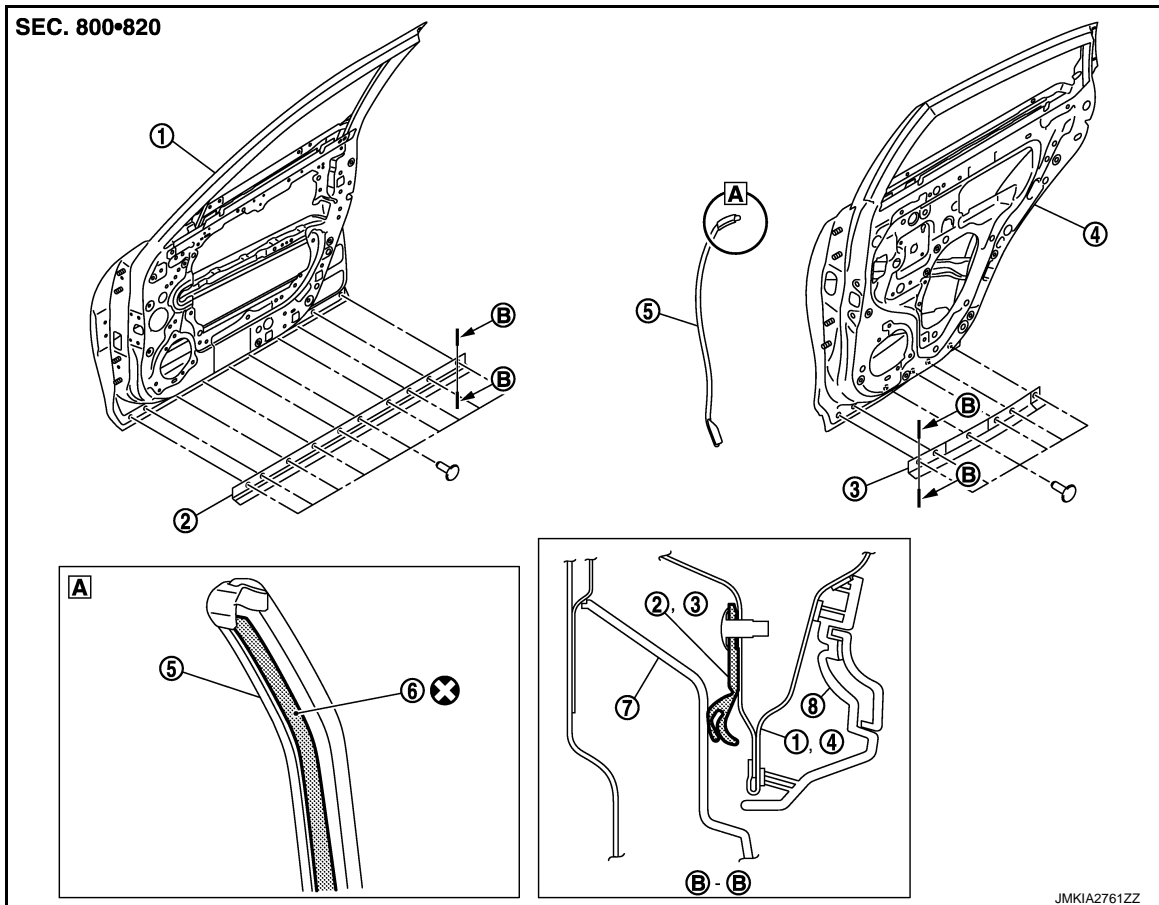
# DOOR PARTING SEAL

< REMOVAL AND INSTALLATION >

## DOOR PARTING SEAL

Exploded View

INFOID:000000003910524



- |                     |                                   |                                   |
|---------------------|-----------------------------------|-----------------------------------|
| 1. Front door panel | 2. Front door parting seal        | 3. Rear door parting seal (lower) |
| 4. Rear door panel  | 5. Rear door parting seal (front) | 6. Double-faced adhesive tape     |
| 7. Center mud guard | 8. Door outside lower molding     |                                   |

Refer to [GI-4. "Components"](#) of symbols in the figure.


## Removal and Installation

INFOID:000000003910525

### REMOVAL

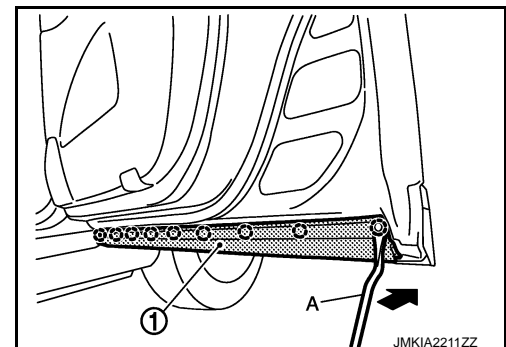
#### FRONT DOOR PARTING SEAL

1. Fully open front door.
2. With a remover tool (A), disengage the clips from the front door parting seal (1).

 : Clip

#### **CAUTION:**

- Disengage the clips slowly and carefully.
- Never pull the front door parting seal strongly.



3. Remove front door parting seal.

A  
B  
C  
D  
E  
F  
G  
H  
I  
J

EXT

L  
M  
N  
O  
P

## DOOR PARTING SEAL

### < REMOVAL AND INSTALLATION >

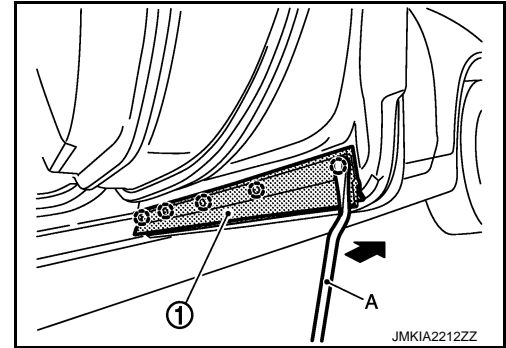
#### REAR DOOR PARTING SEAL (LOWER)

1. Fully open rear door.
2. With a remover tool (A), disengage the clips from the rear door parting seal (1).

○ : Clip

#### **CAUTION:**

- Disengage the clips slowly and carefully.
- Never pull the rear door parting seal strongly.



3. Remove rear door parting seal.

#### REAR DOOR PARTING SEAL (FRONT)

1. Fully open front door.
2. Pull back rear door parting seal (front).

#### **CAUTION:**

**Never bend the rear door parting seal strongly.**

#### INSTALLATION

Install in the reverse order of removal.

#### **CAUTION:**

- When installing door parting seal, check that blind clips are securely fitted in door panel holes, and then press them in.
- When installing, visually check the door parting seal and the clips, then replace them with new parts if they are damaged.
- Replace double-faced adhesive tape with a new one, if the rear door parting seal (front) is reused.
- Remove double-faced adhesive tape remaining on body and back of rear door parting seal (front) with a double-faced adhesive tape remover, after removing rear door parting seal (front).
- Never wash the vehicle within 24 hours after installing so as to keep adhesive.



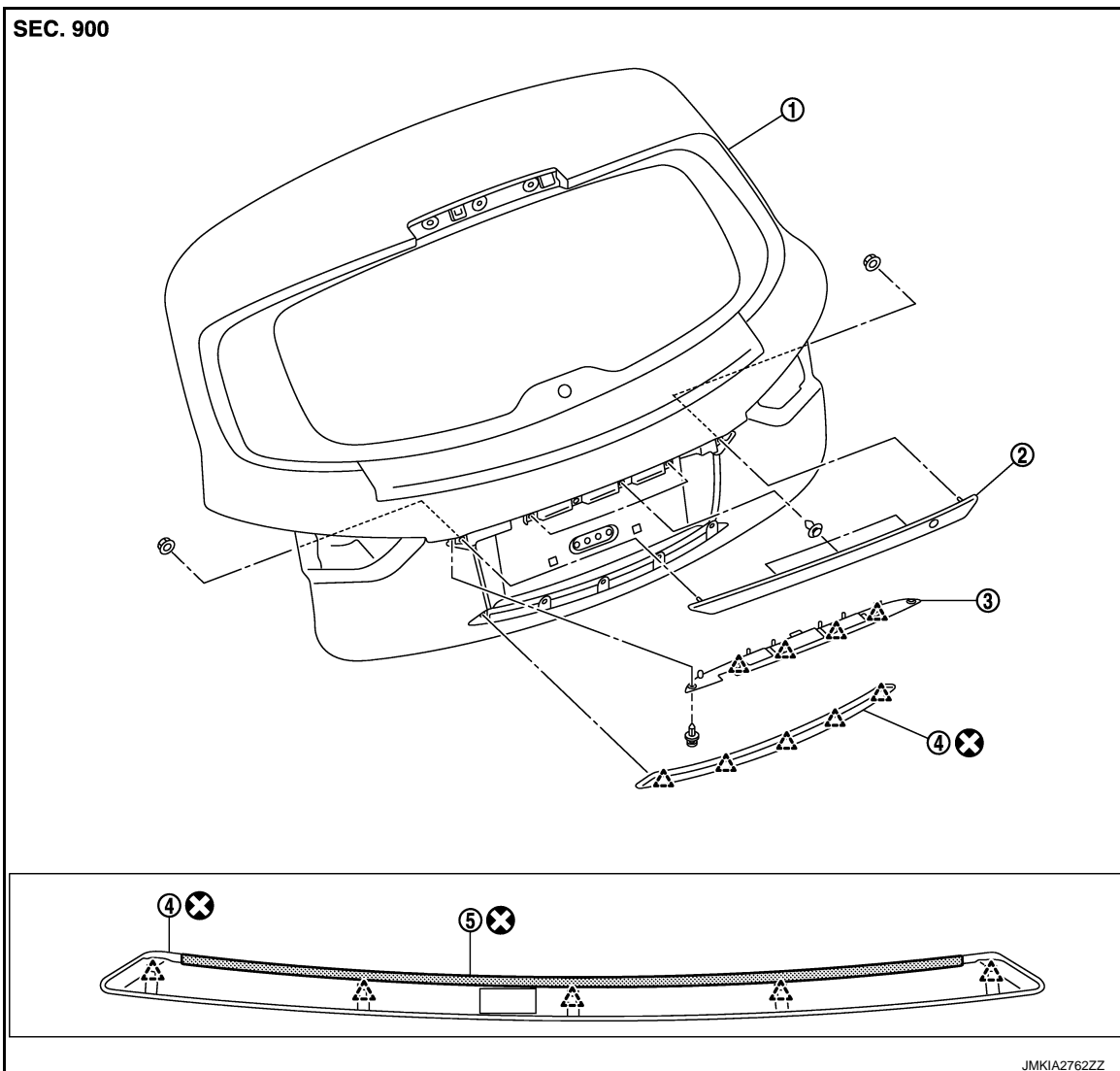
# BACK DOOR FINISHER

< REMOVAL AND INSTALLATION >


## BACK DOOR FINISHER

Exploded View

INFOID:000000003910526



- |                             |                               |                      |
|-----------------------------|-------------------------------|----------------------|
| 1. Back door assembly       | 2. Back door finisher upper   | 3. Door handle cover |
| 4. Back door finisher lower | 5. Double-faced adhesive tape |                      |

 : Pawl

Refer to [GI-4. "Components"](#) for symbols in the figure.

## Removal and Installation

INFOID:000000003910527

### REMOVAL

#### BACK DOOR FINISHER UPPER

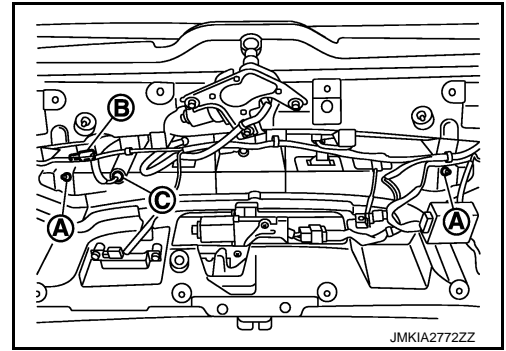
1. Fully open back door.
2. Remove back door finisher inner. Refer to [INT-32. "Removal and Installation"](#).

A  
B  
C  
D  
E  
F  
G  
H  
I  
J  
EXT  
L  
M  
N  
O  
P

# BACK DOOR FINISHER

## < REMOVAL AND INSTALLATION >


3. Remove back door finisher upper fixing nuts (A).
4. Disconnect back door request switch harness connector (B).
5. Pull harness grommet (C) outwards from back door to release.

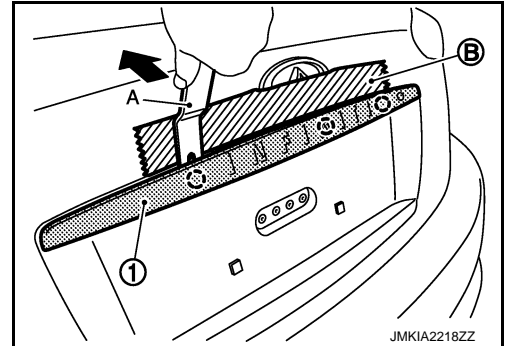


6. Remove back door finisher upper (1) fixing clips with remover tool (A).


**CAUTION:**

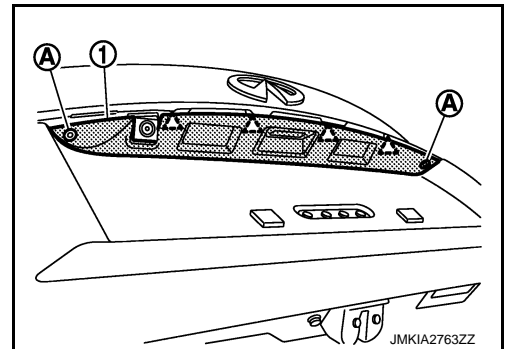
- Apply protective tape (B) on the back door panel to protect the painted surface from damage.
- Never use an item as a remover tool that could damage back door panel.
- Disengage the clips slowly and carefully.
- Never pull the back door finisher upper strongly.

 : Clip



7. Pull back door finisher upper to remove.
8. Remove door handle cover (1) fixing clips (A).
9. Remove door handle cover fixing pawls, and then remove door handle cover.

 : Pawl




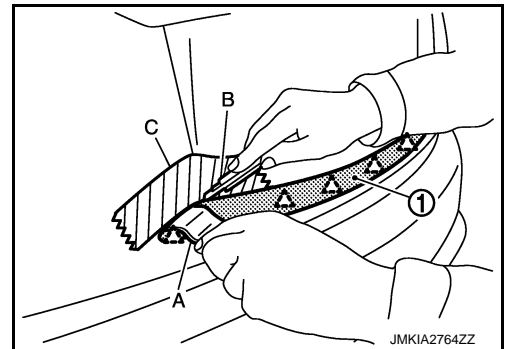
## BACK DOOR FINISHER LOWER

1. With a remover tool (A) and cutter knife (B), take off double-faced adhesive tape, and then disengage back door finisher lower (1) fixing pawls.

**CAUTION:**

- Apply protective tape (C) on the back door panel to protect the painted surface from damage.
- Never use an item as a remover tool that could damage back door panel.
- Disengage the pawls slowly and carefully.
- Never pull the back door finisher lower strongly.

 : Pawl



2. Pull and remove back door finisher lower.

## INSTALLATION

Install in the reverse order of removal.

**CAUTION:**

- Remove double-faced adhesive tape remaining on back door with a double-faced adhesive tape remover, after removing back door finisher lower.
- Never wash the vehicle within 24 hours after installing so as to keep adhesive.

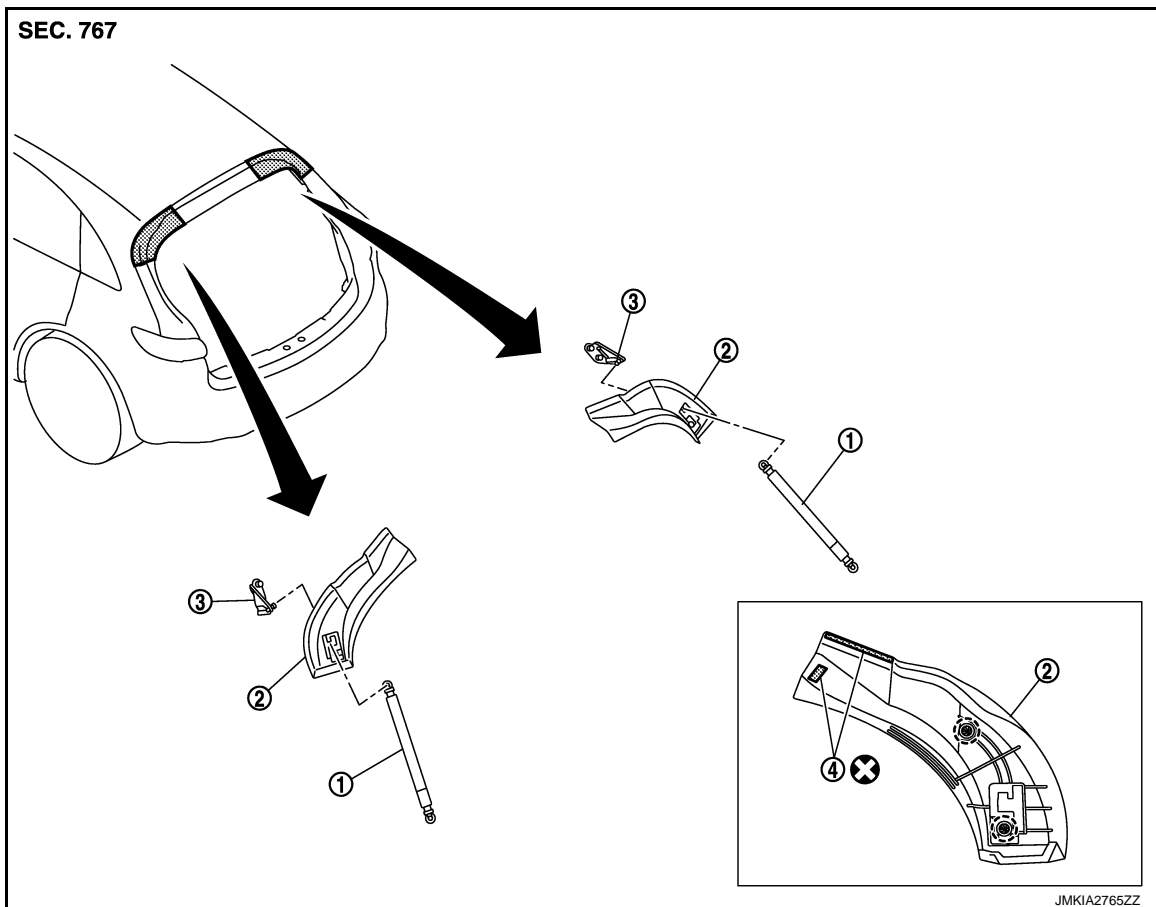
# BACK PILLAR FINISHER

< REMOVAL AND INSTALLATION >

## BACK PILLAR FINISHER

Exploded View

INFOID:000000003940570



- 1. Back door stay
- 2. Back pillar finisher
- 3. Back door stay bracket
- 4. Double-faced adhesive tape

○ : Clip

Refer to [GI-4. "Components"](#) for symbols in the figure.

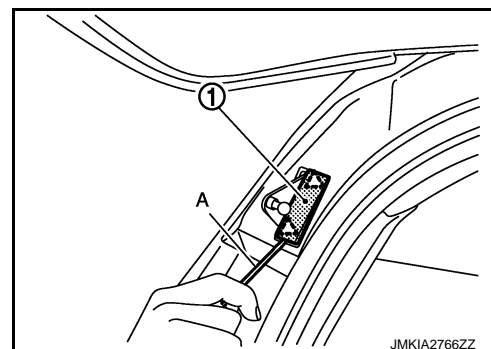
## Removal and Installation

INFOID:000000003940571

### REMOVAL

1. Disengage back door stay upper from back door stay bracket. Refer to [DLK-253. "BACK DOOR STAY : Removal and Installation"](#).
2. Remove back pillar finisher cover (1) with flat-bladed screwdriver (A).


△ : Pawl



## BACK PILLAR FINISHER

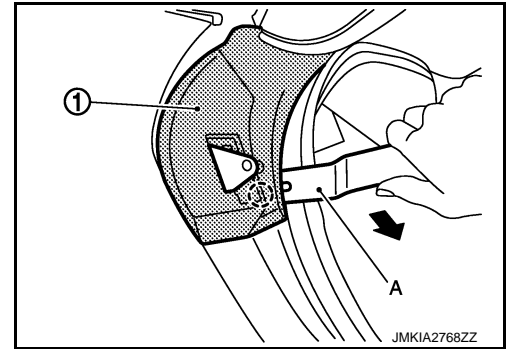
### < REMOVAL AND INSTALLATION >

3. Remove back pillar finisher (1) fixing clip with a remover tool (A).

 : Clip

**CAUTION:**


Never use an item as a remover tool that could damage body panel.

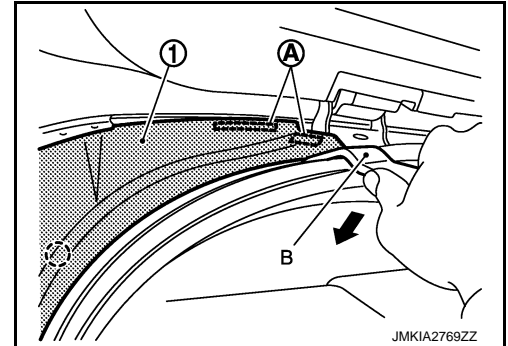


4. Remove back pillar finisher (1) fixing double-faced adhesive tape (A) and clip with a remover tool (B).

**CAUTION:**

Never use an item as a remover tool that could damage body panel.

 : Clip



5. Remove back pillar finisher.

### INSTALLATION

Install in the reverse order of removal.

**CAUTION:**

- Replace double-faced adhesive tape with a new one, if the back pillar finisher is reused.
- Remove double-faced adhesive tape remaining on body panel and back of back pillar finisher with a double-faced adhesive tape remover, after removing back pillar finisher.
- When installing, visually check the back pillar finisher and the clips, then replace them with new parts, if they are damaged.
- Never wash the vehicle within 24 hours after installing so as to keep adhesive.