

A
EX
C
D
E
F
G
H
I
J
K
L
M
N
O
P

SECTION EX
EXHAUST SYSTEM

CONTENTS

VQ35HR	VK50VE
PRECAUTION 2	PRECAUTION 7
PRECAUTIONS 2	PRECAUTIONS 7
Removal and Installation2	Removal and Installation 7
PREPARATION 3	PREPARATION 8
PREPARATION 3	PREPARATION 8
Commercial Service Tool3	Commercial Service Tool 8
PERIODIC MAINTENANCE 4	PERIODIC MAINTENANCE 9
EXHAUST SYSTEM 4	EXHAUST SYSTEM 9
Inspection4	Inspection 9
REMOVAL AND INSTALLATION 5	REMOVAL AND INSTALLATION10
EXHAUST SYSTEM 5	EXHAUST SYSTEM10
Exploded View5	Exploded View10
Removal and Installation5	Removal and Installation10
Inspection6	Inspection11

PRECAUTION

PRECAUTIONS

Removal and Installation

INFOID:000000003890797

CAUTION:

- Be sure to use genuine exhaust system parts or equivalents which are specially designed for heat resistance, corrosion resistance, and shape.
- Perform the operation with the exhaust system fully cooled down because the system will be hot just after engine stops.
- Be careful not to cut your hand on the heat insulator edge.

PREPARATION

< PREPARATION >

[VQ35HR]

PREPARATION

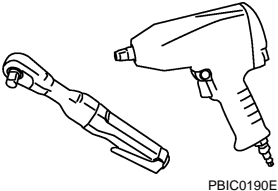
PREPARATION

Commercial Service Tool

INFOID:000000003890799

A

EX

Tool name	Description
<p>Power tool</p>  <p>PBIC0190E</p>	<p>Loosening bolts and nuts</p>

C

D

E

F

G

H

I

J

K

L

M

N

O

P

PERIODIC MAINTENANCE

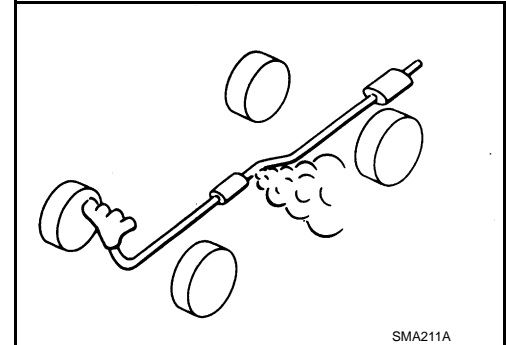
EXHAUST SYSTEM

Inspection

INFOID:000000003890800

Check exhaust pipes, muffler and mounting for improper attachment, leakage, cracks, damage or deterioration.

- If damage is found, repair or replace damaged parts.



EXHAUST SYSTEM

< REMOVAL AND INSTALLATION >

[VQ35HR]

REMOVAL AND INSTALLATION

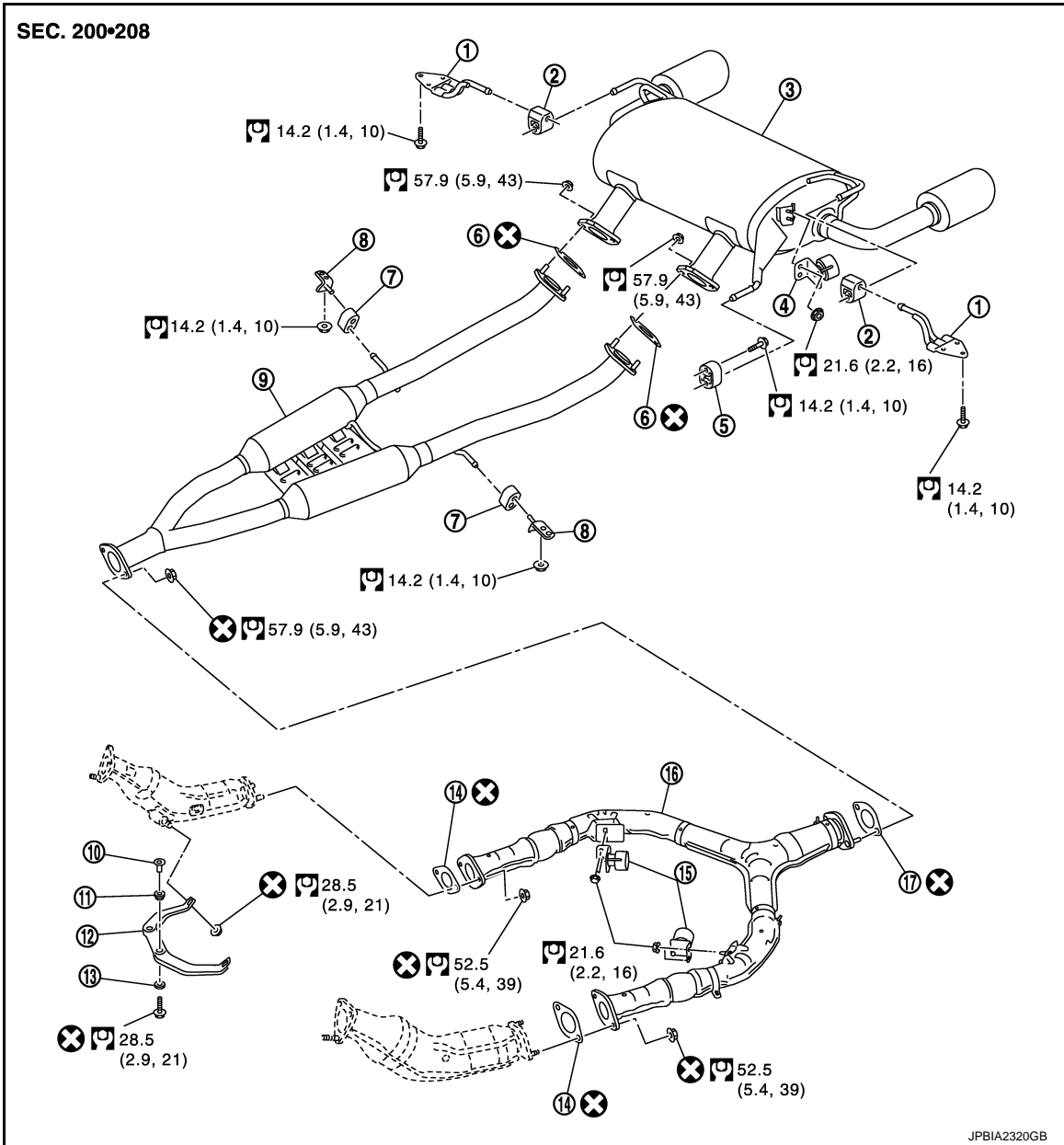
EXHAUST SYSTEM

Exploded View

INFOID:000000003890801

A

EX



C

D

E

F

G

H

I

J

K

L

M

N

- | | | |
|------------------------|---------------------|------------------------------|
| 1. Mounting bracket | 2. Mounting rubber | 3. Main muffler |
| 4. Dynamic damper | 5. Mounting rubber | 6. Gasket |
| 7. Mounting rubber | 8. Mounting bracket | 9. Center muffler |
| 10. Collar | 11. Grommet | 12. Exhaust mounting bracket |
| 13. Grommet | 14. Gasket | 15. Dynamic damper |
| 16. Exhaust front tube | 17. Gasket | |

O

P

Refer to [GI-4, "Components"](#) for symbols in the figure.

Removal and Installation

INFOID:000000003890802

REMOVAL

EXHAUST SYSTEM

[VQ35HR]

< REMOVAL AND INSTALLATION >

- Disconnect each joint and mounting using power tool.
- Remove heated oxygen sensor 2, if necessary. Refer to [EM-36, "Exploded View"](#).

INSTALLATION

Note the following items, and install in the reverse order of removal.

- Check for deformation of the grommets (No. 11 and 13 of Components).
- Insert the collar (No. 10 of Components) vertically.
- Temporarily tighten bolts and nuts when installing exhaust pipe assembly. Tighten them to the specified torque when connecting the vehicle rear to the vehicle front.

CAUTION:

- **Always replace exhaust tube gaskets with new ones when reassembling.**
- **If heat insulator is badly deformed, repair or replace it. If deposits such as mud pile up on the heat insulator, remove them.**
- **When installing heat insulator avoid large gaps or interference between heat insulator and each exhaust pipe.**
- **Remove deposits from the sealing surface of each connection. Connect them securely to avoid gases leakage.**
- **Check each part for unusual interference, and then tighten them to the specified torque.**
- **When installing each mounting rubber, avoid twisting or unusual extension in up/down and right/left directions.**

Inspection

INFOID:000000003890803

INSPECTION AFTER INSTALLATION

- Check clearance between tail tube and rear bumper is even.
- With engine running, check exhaust tube joints for gas leakage and unusual noises.
- Check to ensure that mounting brackets and mounting rubbers are installed properly and free from undue stress. Improper installation could result in excessive noise and vibration.

PRECAUTION

PRECAUTIONS

Removal and Installation

INFOID:000000003890804

EX

CAUTION:

- Be sure to use genuine exhaust system parts or equivalents which are specially designed for heat resistance, corrosion resistance, and shape.
- Perform the operation with the exhaust system fully cooled down because the system will be hot just after engine stops.
- Be careful not to cut your hand on the heat insulator edge.

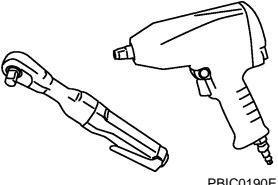
A
C
D
E
F
G
H
I
J
K
L
M
N
O
P

PREPARATION

PREPARATION

Commercial Service Tool

INFOID:000000003890806

Tool name	Description
<p data-bbox="159 411 272 441">Power tool</p>  <p data-bbox="828 630 901 646">PBIC0190E</p>	<p data-bbox="1015 411 1263 441">Loosening bolts and nuts</p>

PERIODIC MAINTENANCE

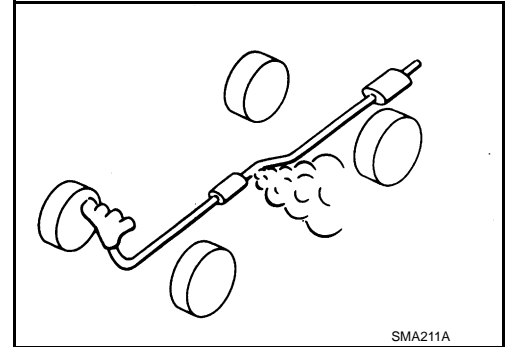
EXHAUST SYSTEM

Inspection

Check exhaust pipes, muffler and mounting for improper attachment, leakage, cracks, damage or deterioration.

- If damage is found, repair or replace damaged parts.

INFOID:000000003890807



A

EX

C

D

E

F

G

H

I

J

K

L

M

N

O

P

EXHAUST SYSTEM

< REMOVAL AND INSTALLATION >

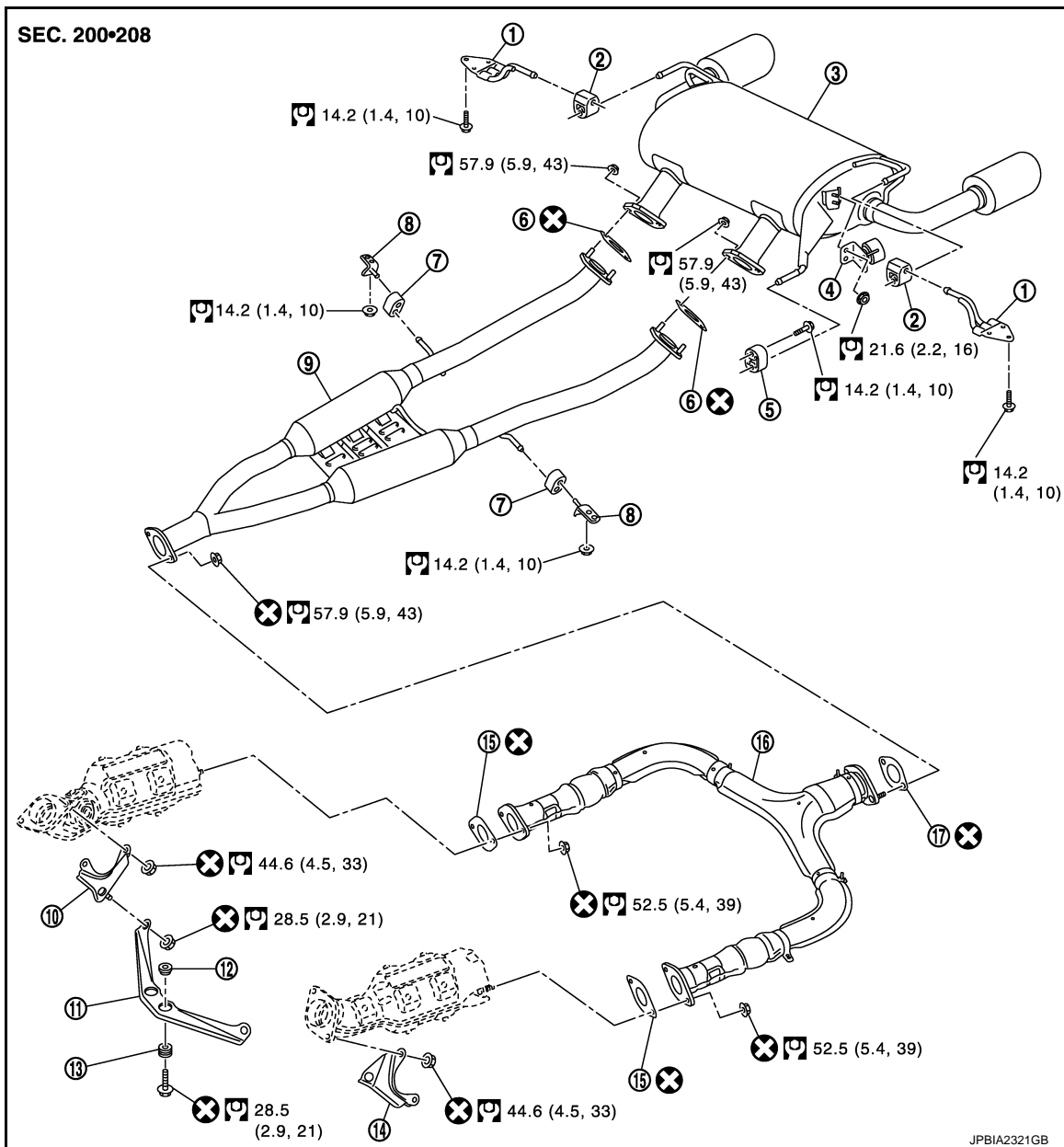
[VK50VE]

REMOVAL AND INSTALLATION

EXHAUST SYSTEM

Exploded View

INFOID:000000003890808



JPBIA2321GB

- | | | |
|-----------------------------------|-----------------------------------|-------------------|
| 1. Mounting bracket | 2. Mounting rubber | 3. Main muffler |
| 4. Dynamic damper | 5. Mounting rubber | 6. Gasket |
| 7. Mounting rubber | 8. Mounting bracket | 9. Center muffler |
| 10. Exhaust mounting bracket (RH) | 11. Exhaust mounting bracket | 12. Collar |
| 13. Grommet | 14. Exhaust mounting bracket (LH) | 15. Gasket |
| 16. Exhaust front tube | 17. Gasket | |

Refer to [GI-4. "Components"](#) for symbols in the figure.

Removal and Installation

INFOID:000000003890809

REMOVAL

EXHAUST SYSTEM

[VK50VE]

< REMOVAL AND INSTALLATION >

- Disconnect each joint and mounting using power tool.
- Remove heated oxygen sensor 2, if necessary. Refer to [EM-205, "Exploded View"](#).

INSTALLATION

Note the following items, and install in the reverse order of removal.

- Check for deformation of the grommets (No. 13 of Components).
- Insert the collar (No. 12 of Components) vertically.
- Temporarily tighten bolts and nuts when installing exhaust pipe assembly. Tighten them to the specified torque when connecting the vehicle rear to the vehicle front.

CAUTION:

- **Always replace exhaust tube gaskets with new ones when reassembling.**
- **If heat insulator is badly deformed, repair or replace it. If deposits such as mud pile up on the heat insulator, remove them.**
- **When installing heat insulator avoid large gaps or interference between heat insulator and each exhaust pipe.**
- **Remove deposits from the sealing surface of each connection. Connect them securely to avoid gases leakage.**
- **Check each part for unusual interference, and then tighten them to the specified torque.**
- **When installing each mounting rubber, avoid twisting or unusual extension in up/down and right/left directions.**

Inspection

INFOID:000000003890810

INSPECTION AFTER INSTALLATION

- Check clearance between tail tube and rear bumper is even.
- With engine running, check exhaust tube joints for gas leakage and unusual noises.
- Check to ensure that mounting brackets and mounting rubbers are installed properly and free from undue stress. Improper installation could result in excessive noise and vibration.

A
EX
C
D
E
F
G
H
I
J
K
L
M
N
O
P